

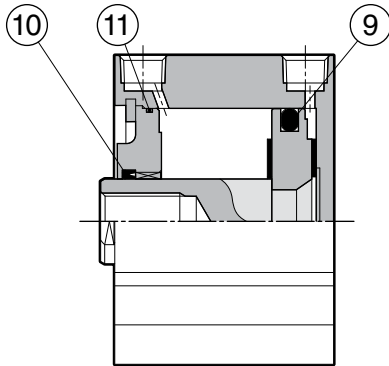
# Series **NCQ8**

**Air Cylinder: Standard Type  
Double Acting, Single Rod**

*Maintenance Parts*

**Ø056 to Ø400**

**Construction - Double Acting, Single Rod**



### Seal Kit Parts List

No.	Description	Material
9	Piston Seal	NBR
10	Rod Seal	NBR
11	Tube Gasket	NBR

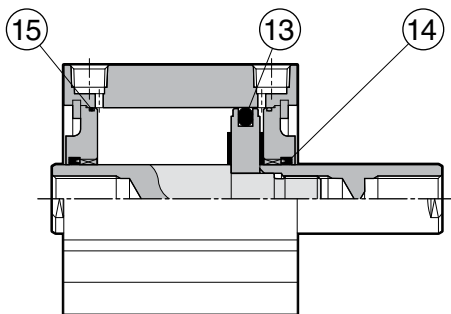
\*[BLUE](#) links will lead to purchase pages.

### Repair Parts: Standard Seal Kit for Double Acting, Single Rod

Bore size	Kit no.	Remarks
056 (9/16")	<a href="#">NCQ8B056-PS</a>	Piston seal, rod seal, and tube gasket are included.
075 (3/4")	<a href="#">NCQ8B075-PS</a>	
106 (1 1/16")	<a href="#">NCQ8B106-PS</a>	
150 (1 1/2")	<a href="#">NCQ8B150-PS</a>	
200 (2")	<a href="#">NCQ8B200-PS</a>	
250 (2 1/2")	<a href="#">NCQ8B250-PS</a>	
300 (3")	<a href="#">NCQ8B300-PS</a>	
400 (4")	<a href="#">NCQ8B400-PS</a>	

# Series **NCQ8W**

**Construction - Double Acting, Double Rod**



### Seal Kit Parts List

No.	Description	Material
13	Piston Seal	NBR
14	Rod Seal	NBR
15	Tube Gasket	NBR

### Repair Parts: Standard Seal Kit for Double Acting, Double Rod

Bore size	Kit no.	Remarks
056 (9/16")	<a href="#">NCQ8WB056-PS</a>	Piston seal, rod seal, and tube gasket are included.
075 (3/4")	<a href="#">NCQ8WB075-PS</a>	
106 (1 1/16")	<a href="#">NCQ8WB106-PS</a>	
150 (1 1/2")	<a href="#">NCQ8WB150-PS</a>	
200 (2")	<a href="#">NCQ8WB200-PS</a>	
250 (2 1/2")	<a href="#">NCQ8WB250-PS</a>	
300 (3")	<a href="#">NCQ8WB300-PS</a>	
400 (4")	<a href="#">NCQ8WB400-PS</a>	

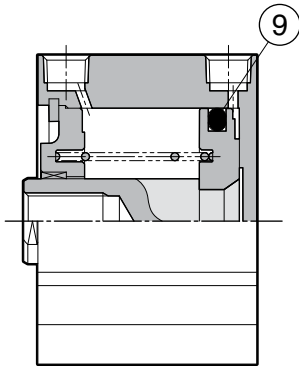
# Series NCQ8

**Air Cylinder: Standard Type  
Single Acting**

*Maintenance Parts*

**Ø056 to Ø250**

**Construction - Single Acting, Spring Return**



### Seal Kit Parts List

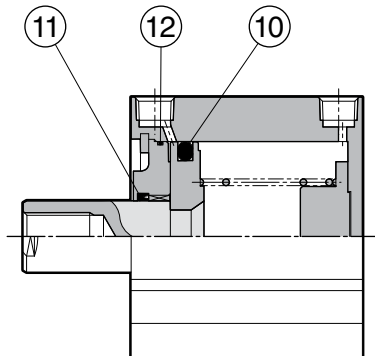
No.	Description	Material
9	Piston Seal	NBR

\*[BLUE](#) links will lead to purchase pages.

### Repair Parts: Standard Seal Kit for Single Acting, Spring Return

Bore size	Kit no.	Remarks
056 (9/16")	<a href="#">NCQ8B056-S-PS</a>	Piston seal is included.
075 (3/4")	<a href="#">NCQ8B075-S-PS</a>	
106 (1 1/16")	<a href="#">NCQ8B106-S-PS</a>	
150 (1 1/2")	<a href="#">NCQ8B150-S-PS</a>	
200 (2")	<a href="#">NCQ8B200-S-PS</a>	
250 (2 1/2")	<a href="#">NCQ8B250-S-PS</a>	

### Construction - Single Acting Spring Extend



### Seal Kit Parts List

No.	Description	Material
10	Piston Seal	NBR
11	Rod Seal	NBR
12	Tube Gasket	NBR

### Repair Parts: Standard Seal Kit for Single Acting, Spring Extend

Bore size	Kit number	Remarks
056 (9/16")	<a href="#">NCQ8B056-T-PS</a>	Piston seal, rod seal, and tube gasket are included.
075 (3/4")	<a href="#">NCQ8B075-T-PS</a>	
106 (1 1/16")	<a href="#">NCQ8B106-T-PS</a>	
150 (1 1/2")	<a href="#">NCQ8B150-T-PS</a>	
200 (2")	<a href="#">NCQ8B200-T-PS</a>	
250 (2 1/2")	<a href="#">NCQ8B250-T-PS</a>	