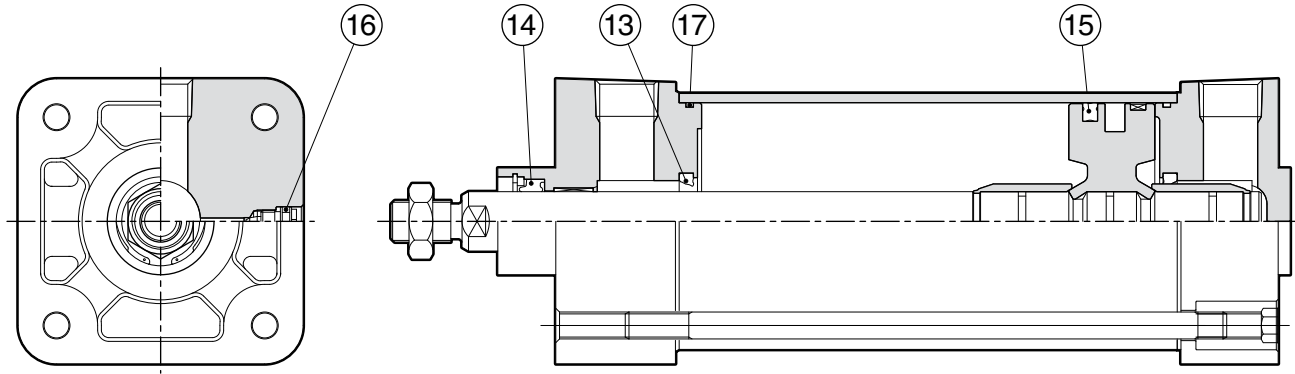


Series NCA1

**Air Cylinder: Standard Type
Double Acting, Single Rod**

Maintenance Parts

Ø150 to Ø400 Construction



Seal Kit Parts List

| No. | Description | Material |
|-----|----------------------|----------|
| 13 | Cushion Seal | NBR |
| 14 | Rod Seal | NBR |
| 15 | Piston Seal | NBR |
| 16 | Cushion Valve Seal | NBR |
| 17 | Cylinder Tube Gasket | NBR |

Kit no.'s can be found on the next two pages.

How To Order Seal Kits

NC1A **W** **150** - PS -

| Rod option | Bore | Special Options |
|------------------------|------|--|
| Nil Single | 150 | XB5*** Over sized rod |
| W Double | 200 | XB6*** High temperature |
| K* Non-rotating | 250 | XB7*** Low temperature |
| | 325 | XB5B6*** Oversized w/ high temperature* |
| | 400 | XC11 Dual Operation/Single Rod** |

* available for 150, 200 and 250 bores only

** use single rod designation when ordering XC11 kit

Note: XC10 seal kit order 2 single rod kits

*** not available with K option

*Call or email us at sales@smcpneumatics.com for request.

How To Order Piston Rod Assembly Double Acting Single Rod

NCA1 **150** - 26A - **0400**

| Bore | Stroke (In Inches and Hundredths of Inches) |
|------|---|
| 150 | |
| 200 | |
| 250 | |
| 325 | |
| 400 | |

*Call or email us at sales@smcpneumatics.com for request.

How To Order Tie Rods

NC1A **150** - **11** - **2759** - **0400**

| Applicable Bore | Bore | Tie Rod Size | Stroke (In Inches and Hundredths of Inches) |
|-----------------|------|--------------|---|
| 150 | 150 | 2759 | |
| 200 | 200 | 2760 | |
| 250 | 200 | 2760 | |
| 325 | 325 | 2761 | |
| 400 | 325 | 2761 | |

Note: Quantity is one piece. Not applicable for types: Double rod (W), Trunnion (T), XC8, XC9, XC10, XC11, Over sized rod (XB5) with front mounts. Please consult your local SMC sales office.

*Call or email us at sales@smcpneumatics.com for request.

How To Order Cylinder Tube Double Acting Single Rod

NC1A **150** - 04 - **0400**

| Bore | Stroke (In Inches and Hundredths of Inches) |
|------|---|
| 150 | |
| 200 | |
| 250 | |
| 325 | |
| 400 | |

*[BLUE](#) links will lead to purchase pages.

Rod Option: Single

| Bore Size (mm) | Kit no. | Contents |
|----------------|----------------------------|----------|
| 150 | NC1A150-PS | |
| 200 | NC1A200-PS | |
| 250 | NC1A250-PS | |
| 325 | NC1A325-PS | |
| 400 | NC1A400-PS | |

Rod Option: Single, Special Option: Oversized Rod

| Bore Size (mm) | Kit no. | Contents |
|----------------|--------------------------------|----------|
| 150 | NC1A150-PS-XB5 | |
| 200 | NC1A200-PS-XB5 | |
| 250 | NC1A250-PS-XB5 | |
| 325 | NC1A325-PS-XB5 | |
| 400 | NC1A400-PS-XB5 | |

Rod Option: Double

| Bore Size (mm) | Kit no. | Contents |
|----------------|-----------------------------|----------|
| 150 | NC1AW150-PS | |
| 200 | NC1AW200-PS | |
| 250 | NC1AW250-PS | |
| 325 | NC1AW325-PS | |
| 400 | NC1AW400-PS | |

Rod Option: Double, Special Option: Oversized Rod

| Bore Size (mm) | Kit no. | Contents |
|----------------|---------------------------------|----------|
| 200 | NC1AW200-PS-XB5 | |
| 250 | NC1AW250-PS-XB5 | |
| 325 | NC1AW325-PS-XB5 | |
| 400 | NC1AW400-PS-XB5 | |

Rod Option: Non-Rotating

| Bore Size (mm) | Kit no. | Contents |
|----------------|-----------------------------|----------|
| 150 | NC1AK150-PS | |
| 200 | NC1AK200-PS | |
| 250 | NC1AK250-PS | |

Rod Option: Single, Special Option: High Temp.

| Bore Size (mm) | Kit no. | Contents |
|----------------|--------------------------------|----------|
| 150 | NC1A150-PS-XB6 | |
| 200 | NC1A200-PS-XB6 | |
| 250 | NC1A250-PS-XB6 | |
| 325 | NC1A325-PS-XB6 | |
| 400 | NC1A400-PS-XB6 | |

Rod Option: Single, Special Option: Low Temp.

| Bore Size (mm) | Kit no. | Contents |
|----------------|--------------------------------|----------|
| 150 | NC1A150-PS-XB7 | |
| 200 | NC1A200-PS-XB7 | |
| 250 | NC1A250-PS-XB7 | |
| 325 | NC1A325-PS-XB7 | |
| 400 | NC1A400-PS-XB7 | |

Rod Option: Double, Special Option: High Temp.

| Bore Size (mm) | Kit no. | Contents |
|----------------|---------------------------------|----------|
| 150 | NC1AW150-PS-XB6 | |
| 200 | NC1AW200-PS-XB6 | |
| 250 | NC1AW250-PS-XB6 | |
| 325 | NC1AW325-PS-XB6 | |
| 400 | NC1AW400-PS-XB6 | |

Rod Option: Double, Special Option: Low Temp.

| Bore Size (mm) | Kit no. | Contents |
|----------------|---------------------------------|----------|
| 150 | NC1AW150-PS-XB7 | |
| 250 | NC1AW250-PS-XB7 | |
| 325 | NC1AW325-PS-XB7 | |
| 400 | NC1AW400-PS-XB7 | |

*[BLUE](#) links will lead to purchase pages.

Rod Option: Single, Special Option: Oversized w/ High Temp

| Bore Size (mm) | Kit no. | Contents |
|----------------|----------------------------------|----------|
| 200 | NC1A200-PS-XB5B6 | |
| 250 | NC1A250-PS-XB5B6 | |
| 325 | NC1A325-PS-XB5B6 | |
| 400 | NC1A400-PS-XB5B6 | |

Rod Option: Single, Special Option: Dual Operation/Single Rod

| Bore Size (mm) | Kit no. | Contents |
|----------------|---------------------------------|----------|
| 150 | NC1A150-PS-XC11 | |
| 200 | NC1A200-PS-XC11 | |
| 250 | NC1A250-PS-XC11 | |
| 325 | NC1A325-PS-XC11 | |
| 400 | NC1A400-PS-XC11 | |

Rod Option: Non-Rotating, Double

| Bore Size (mm) | Kit no. | Contents |
|----------------|------------------------------|----------|
| 150 | NC1AKW150-PS | |
| 200 | NC1AKW200-PS | |
| 250 | NC1AKW250-PS | |

Rod Option: Non-Rotating, Special Option: Dual Operation/Single Rod

| Bore Size (mm) | Kit no. | Contents |
|----------------|----------------------------------|----------|
| 200 | NC1AK200-PS-XC11 | |