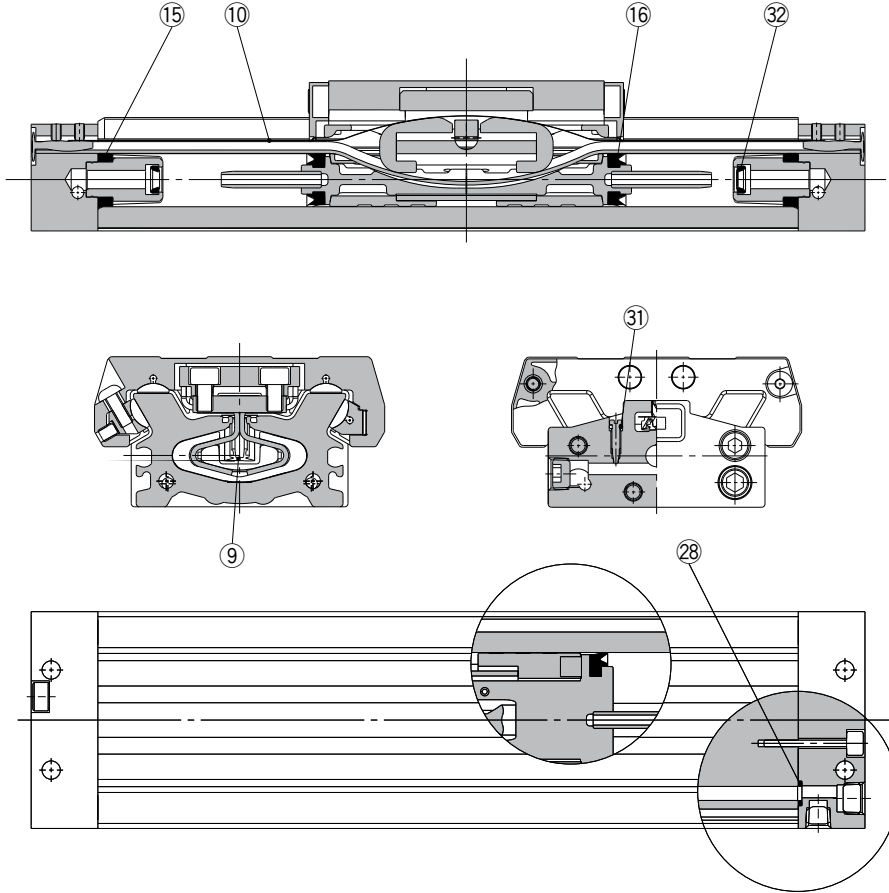


# Series MY3M

ø16, ø25, ø40, ø63

Replacement Procedure is P.312

## Construction



\* The numbers are the same as the "Construction" of the MY3 series catalog (CAT.ES20-165).

\*[BLUE links will lead to purchase pages.](#)  
 Call or email us at [sales@smcpneumatics.com](mailto:sales@smcpneumatics.com) for request.

### Replacement Parts: Seal (Order them as required with by individual part numbers.)

No.	Description	Material	Qty.	MY3M16	MY3M25	MY3M40	MY3M63
9	Seal belt	Polyamide	1	MY3B16-16A-Stroke	MY3B25-16A-Stroke	MY3B40-16A-Stroke	MY3B63-16A-Stroke
10	Dust seal band	Stainless steel	1	MY3B16-16B-Stroke	MY3B25-16B-Stroke	MY3B40-16B-Stroke	MY3B63-16B-Stroke
15	Tubing gasket	NBR	2	RMB-16	RMB-25	RMB-40	RMB-63
16	Piston seal	NBR	2	RMY-16	RMY-25	RMY-40	RMY-63
28	O-ring	NBR	4	KA00020 (ø6.2 x ø3 x ø1.6)	KA00048 —	KA00156 (ø10.5 x ø8.5 x ø1)	KA00036 —
31	O-ring	NBR	2	KA00309 (ø4 x ø1.8 x ø1.1)	KA00309 (ø4 x ø1.8 x ø1.1)	KA00320 (ø7.15 x ø3.75 x ø1.7)	KA00402 (ø8.3 x ø4.5 x ø1.9)
32	Cushion seal	NBR	2	MCS-3	MCS-5	RCS-8	RCS-12

\* Since the seal kit does not include a grease pack, order it separately.

Grease pack part no.: GR-S-010 (10 g)

\* For instructions on how to replace replacement parts/seals, refer to the operation manual.