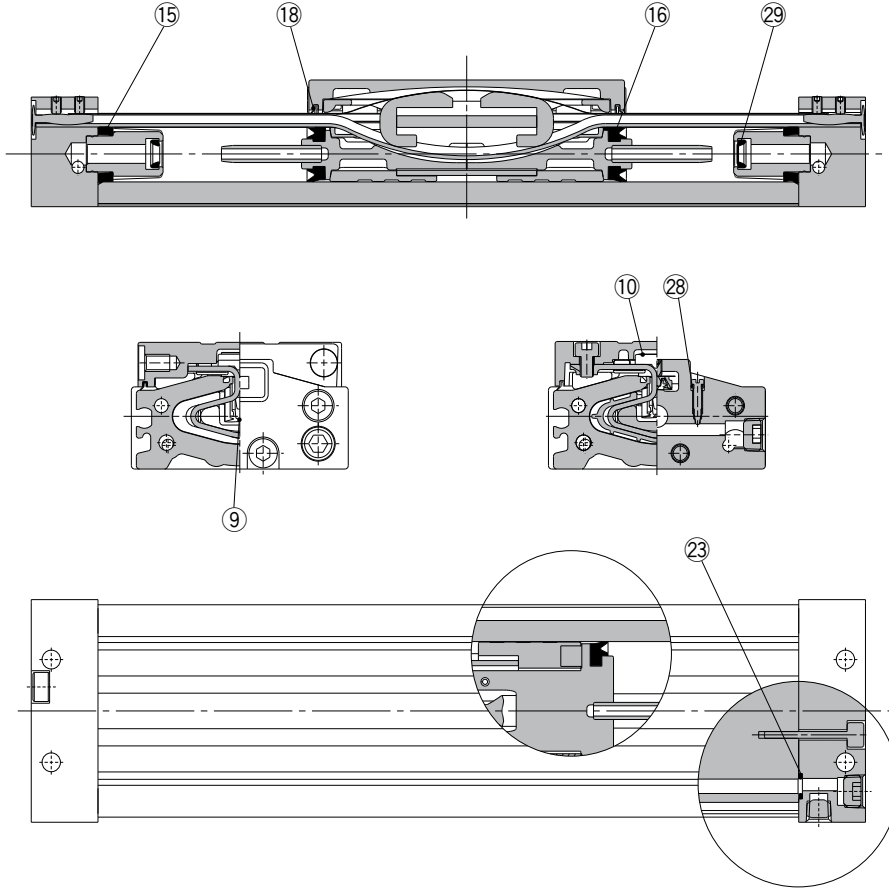


Series MY3B

ø16, ø25, ø40, ø63

Replacement
Procedure is
P.312

Construction



* The numbers are the same as the "Construction" of the MY3 series catalog (CAT.ES20-165).

*[BLUE](#) links will lead to purchase pages.
Call or email us at sales@smcpneumatics.com for request.

Replacement Parts: Seal (Order them as required with by individual part numbers.)

No.	Description	Material	Qty.	MY3B16	MY3B25	MY3B40	MY3B63
9	Seal belt	Polyamide	1	MY3B16-16A-Stroke	MY3B25-16A-Stroke	MY3B40-16A-Stroke	MY3B63-16A-Stroke
10	Dust seal band	Stainless steel	1	MY3B16-16B-Stroke	MY3B25-16B-Stroke	MY3B40-16B-Stroke	MY3B63-16B-Stroke
15	Tube gasket	NBR	2	RMB-16	RMB-25	RMB-40	RMB-63
16	Piston seal	NBR	2	RMY-16	RMY-25	RMY-40	RMY-63
18	Scraper	Polyamide	1	MYA16-15-R6656	MYA25-15-R6657	MYA40-15-R6658	MYA63-15-R6659
23	O-ring	NBR	4	KA00020 (ø6.2 x ø3 x ø1.6)	KA00048 —	KA00156 (ø10.5 x ø8.5 x ø1)	KA00036 —
28	O-ring	NBR	2	KA00309 (ø4 x ø1.8 x ø1.1)	KA00309 (ø4 x ø1.8 x ø1.1)	KA00320 (ø7.15 x ø3.75 x ø1.7)	KA00402 (ø8.3 x ø4.5 x ø1.9)
29	Cushion seal	NBR	2	MCS-3	MCS-5	RCS-8	RCS-12

* When ⑨ and ⑩ are shipped as single units, a grease pack is included (10 g per 1000 strokes).
Order with the following part number when only the grease pack is needed.

Grease pack part no.: GR-S-010 (10 g), GR-S-020 (20 g)

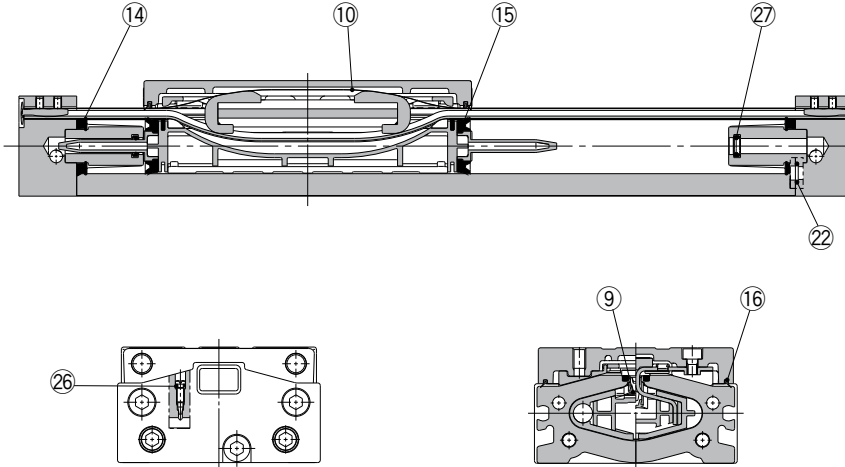
* For instructions on how to replace replacement parts/seals, refer to the operation manual.

Series MY3B

ø20, ø32, ø50

Replacement
Procedure is
P.312

Construction



* The numbers are the same as the "Construction" of the MY3 series catalog (CAT.ES20-165).

*[BLUE](#) links will lead to purchase pages.
Call or email us at sales@smcpneumatics.com for request.

Replacement Parts: Seal (Order them as required with by individual part numbers.)

No.	Description	Material	Qty.	MY3B20	MY3B32	MY3B50
9	Seal belt	Polyamide	1	MY3B20-16A- Stroke	MY3B32-16A- Stroke	MY3B50-16A- Stroke
10	Dust seal band	Stainless steel	1	MY3B20-16B- Stroke	MY3B32-16B- Stroke	MY3B50-16B- Stroke
14	Tube gasket	NBR	2	RMB-20	RMB-32	RMB-50
15	Piston seal	NBR	2	RMY-20	RMY-32	RMY-50
16	Scraper	Polyamide	2	MYA20-15-AC594	MYA32-15-AC595	MYA50-15-AC596
22	O-ring	NBR	4	KA00048	KA00050	KA00035
26	O-ring	NBR	2	KA00309 (ø4 x ø1.8 x ø1.1)	KA00309 (ø4 x ø1.8 x ø1.1)	KA00320 (ø7.15 x ø3.75 x ø1.7)
27	Cushion seal	NBR	2	MCS-3	MCS-5	RCS-8

* When ⑨ and ⑩ are shipped as single units, a grease pack is included (10 g per 1000 strokes).
Order with the following part number when only the grease pack is needed.

Grease pack part no.: GR-S-010 (10 g), GR-S-020 (20 g)

* For instructions on how to replace replacement parts/seals, refer to the operation manual.