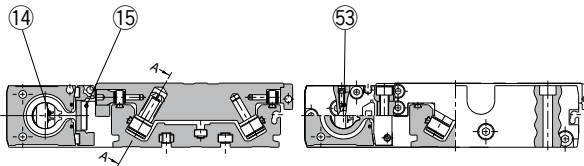
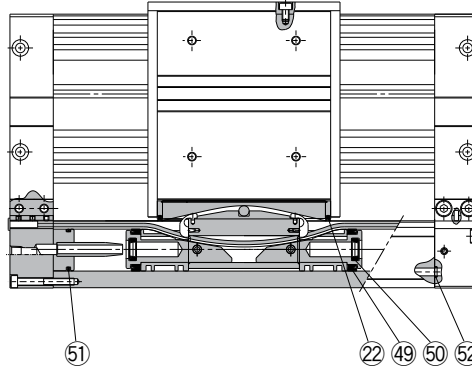


Series MY2C

ø16, ø25, ø40

Replacement
Procedure is
P.311

Construction



* The numbers are the same as the "Construction" of the Best Pneumatics No.2 Series MY2C.

*[BLUE](#) links will lead to purchase pages.
Call or email us at sales@smcpneumatics.com for request.

Replacement Parts: Seal Kit

No.	Description	Qty.	MY2C16G	MY2C25G	MY2C40G	Note
14	Seal belt	1	MY16-16A-Stroke	MY25-16A-Stroke	MY40-16A-Stroke	14, 15 and 53 are not included in the seal kit. Order them as required with by individual part numbers.
15	Dust seal band	1	MY2H16-16B-Stroke	MY2H25-16B-Stroke	MY2H40-16B-Stroke	
53	O-ring	2	KA00309 (ø4 x ø1.8 x ø1.1)	KA00309 (ø4 x ø1.8 x ø1.1)	KA00320 (ø7.15 x ø3.75 x ø1.7)	
22	Scraper	2				
49	Piston seal	2				
50	Cushion seal	2	MY2B16-PS	MY2B25-PS	MY2B40-PS	
51	Tube gasket	2				
52	O-ring	4				

* Seal kit includes 22, 49, 50, 51 and 52. Order the seal kit based on each bore size.

* Seal kit includes a grease pack (10 g).

When 14 and 15 are shipped as single units, a grease pack (10 g per 1000 strokes) is included.

Order with the following part number when only the grease pack is needed.

Grease pack part no.: **GR-S-010** (10 g), **GR-S-020** (20 g)

Actuators

Modular F.R.L.
Pressure Control Equipment

Air Preparation
Equipment

Industrial Filters

Replacement
Procedure

Actuators

Modular F.R.L.
Pressure Control Equipment

Industrial Filters