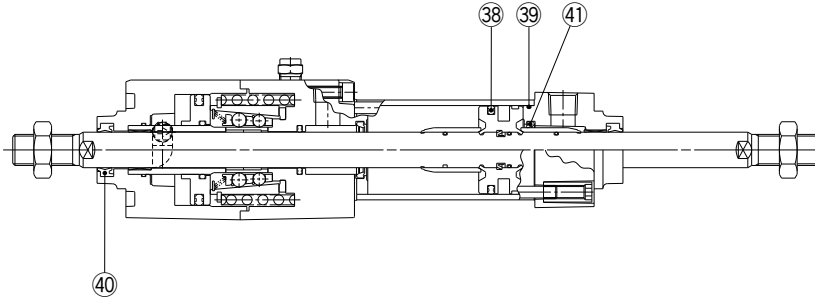


Series MNBW

ø32, ø40, ø50
ø63, ø80, ø100

Replacement
Procedure is
P.351

Construction



* The numbers are the same as the "Construction" of the Best Pneumatics No.3 Series MNBW.

*[BLUE](#) links will lead to purchase pages.

Seal Kit List

No.	Description	Material	Note
38	Piston seal	NBR	
39	Cylinder tube gasket		
40	Rod seal A		
41	Cushion seal		

Replacement Parts: Seal Kit

Bore size (mm)	Kit no.	Contents
32	MBW32-PS	Set of left nos. 38, 39, 40, 41
40	MBW40-PS	
50	MBW50-PS	
63	MBW63-PS	
80	MBW80-PS	
100	MBW100-PS	

* As a general rule, the lock section of Series MNBW is replaced as a unit, and therefore, the replacement seal kits are for the cylinder section only. These can be ordered using the order number for each bore size.

* Seal kit includes a grease pack (ø32 to ø50: 10 g, ø63 and ø80: 20 g, ø100: 30g).

Order with the following part number when only the grease pack is needed.

Grease pack part no.: GR-S-010 (10 g), GR-S-020 (20 g)

Actuators

Modular F.R.L.
Pressure Control Equipment

Air Preparation
Equipment

Industrial Filters

Replacement
Procedure

Actuators

Modular F.R.L.
Pressure Control Equipment

Industrial Filters