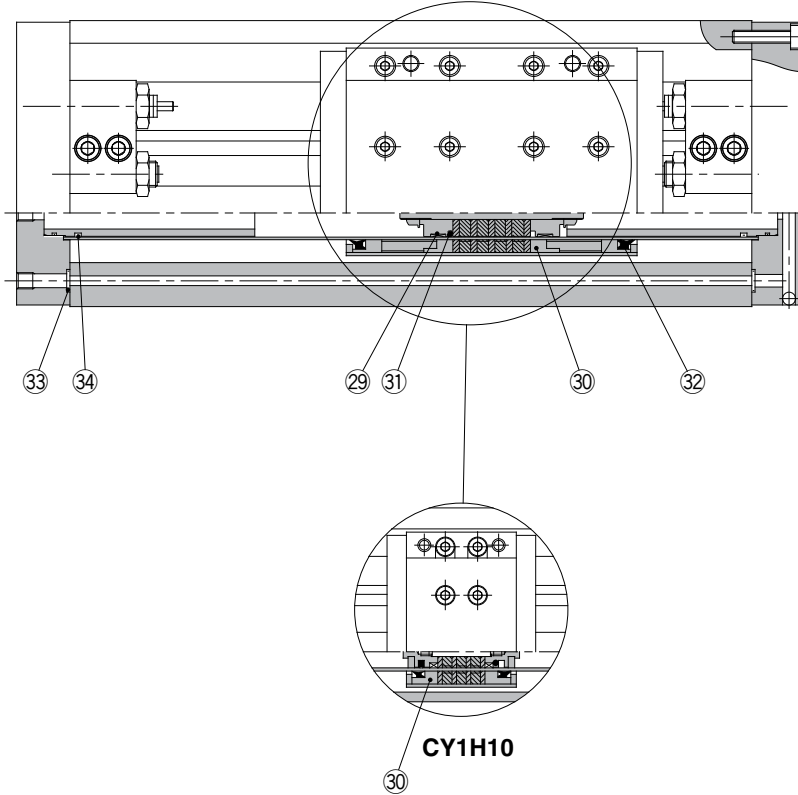


Series CY1H

Single Axis Type:
 ø10, ø15, ø20, ø25

Construction

Single axis type



* The numbers are the same as the "Construction" of the Best Pneumatics No.2 Series CY1H.

Seal Kit List

No.	Description	Material	Note
29	Wear ring A	Special resin	ø10: Not available
30	Wear ring B	Special resin	
31	Piston seal	NBR	
32	Scraper	NBR	
33	O-ring	NBR	
34	O-ring	NBR	

*[BLUE](#) links will lead to purchase pages.

Replacement Parts: Seal Kit

Bore size (mm)	Kit no.	Contents
10	CY1H10-PS	Set of left nos. 30, 31, 32, 33, 34
15	CY1H15-PS	Set of left nos. 29, 30, 31, 32, 33, 34
20	CY1H20-PS	
25	CY1H25-PS	

Note 1) Seal kit includes 30 to 34 for ø10. 29 to 34 are for ø15 to ø25.
 Order the seal kit, based on each bore size.

Note 2) For wear ring A of ø10, please consult with SMC.

* Seal kit includes a grease pack (ø10: 5 and 10 g, ø15 to ø25: 10 g).
 Order with the following part number when only the grease pack is needed.

Grease pack part no. for ø10: GR-F-005 (5 g) for external sliding parts,
GR-S-010 (10 g) for tube interior

Grease pack part no. for ø15 to ø25: GR-S-010 (10 g)

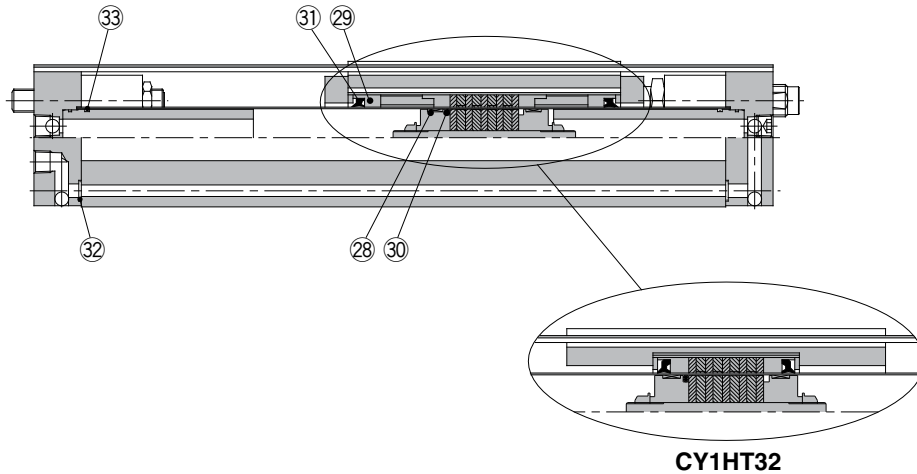
Magnetically Coupled Rodless Cylinder/Linear Guide Type

Series CY1H

Double Axis Type: $\varnothing 25, \varnothing 32$

Construction

Double axes type



* The numbers are the same as the "Construction" of the Best Pneumatics No.2 Series CY1H.

Seal Kit List

No.	Description	Material	Material
28	Wear ring A	Special resin	
29	Wear ring B	Special resin	
30	Piston seal	NBR	
31	Scraper	NBR	
32	O-ring	NBR	
33	O-ring	NBR	

*[BLUE](#) links will lead to purchase pages.

Replacement Parts: Seal Kit

Bore size (mm)	Kit no.	Contents
25	CY1HT25-PS	Set of left nos.
32	CY1HT32-PS	28, 29, 30, 31, 32, 33

Note 1) Seal kit includes 28 to 33. Order the seal kit, based on each bore size.

* Seal kit includes a grease pack (10 g).
Order with the following part number when only the grease pack is needed.

Grease pack part no.: GR-S-010 (10 g)