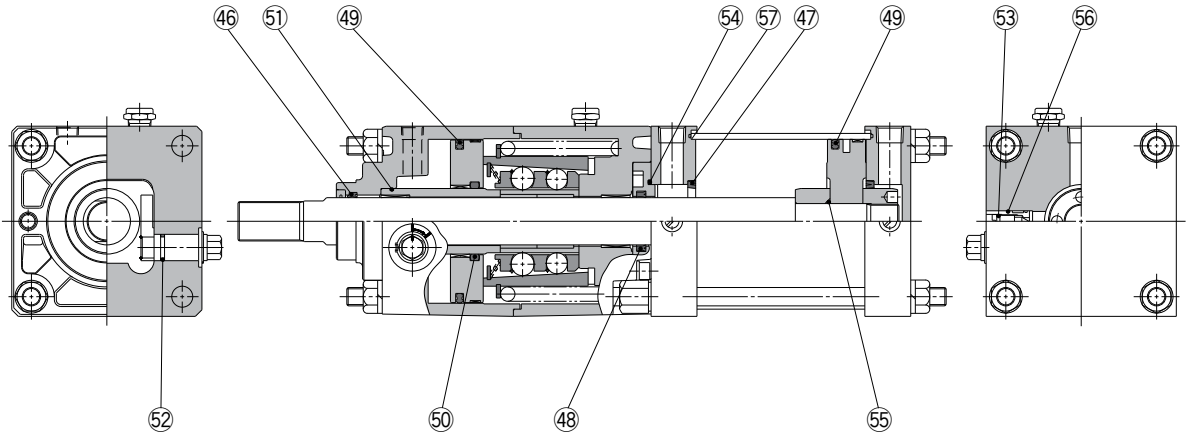


# Series CNS

ø125, ø140, ø160

Replacement  
Procedure is  
P.356

## Construction



\* The numbers are the same as the "Construction" of the Best Pneumatics No.3 Series CNS.

### Seal Kit List

| No. | Description                 | Material | Note                                                                                         |
|-----|-----------------------------|----------|----------------------------------------------------------------------------------------------|
| 46  | Wiper ring                  | NBR      | 47, 50 to 52, 55 and 56 are non-replaceable parts, so they are not included in the seal kit. |
| 47  | Cushion seal                | NBR      |                                                                                              |
| 48  | Rod seal                    | NBR      |                                                                                              |
| 49  | Piston seal                 | NBR      |                                                                                              |
| 50  | O-ring (for release piston) | NBR      |                                                                                              |
| 51  | O-ring (for piston guide)   | NBR      |                                                                                              |
| 52  | O-ring (for unlocking cam)  | NBR      |                                                                                              |
| 53  | Valve seal                  | NBR      |                                                                                              |
| 54  | Retaining plate gasket      | NBR      |                                                                                              |
| 55  | Piston gasket               | NBR      |                                                                                              |
| 56  | Guide gasket                | NBR      |                                                                                              |
| 57  | Tube gasket                 | NBR      |                                                                                              |

\*[BLUE](#) links will lead to purchase pages.

### Replacement Parts: Seal Kit

| Bore size (mm) | Kit no.                     | Contents                                     |
|----------------|-----------------------------|----------------------------------------------|
| 125            | <a href="#">CS1N125A-PS</a> | Set of left nos.<br>(46, 48, 49, 53, 54, 57) |
| 140            | <a href="#">CS1N140A-PS</a> |                                              |
| 160            | <a href="#">CS1N160A-PS</a> |                                              |

\* Since the lock section for Series CNS is normally replaced as a unit, kits are for the cylinder section only. These can be ordered using the order number for each bore size.

\* Seal kit includes 46, 48, 49, 53, 54, 57. Order the seal kit, based on each bore size.

\* Seal kit includes a grease pack (40 g).  
Order with the following part number when only the grease pack is needed.

**Grease pack part no.:** GR-S-010 (10 g), GR-S-020 (20 g)

\* As for the center trunnion type, it is very difficult to adjust the position of the trunnion bracket and the center of the axis.  
Therefore repair at SMC is recommended.

### Replacement Parts: Lock Unit

**CNS 125 TN D - UA**

Bore size (mm)      Unit assembly

Thread type      Locking direction (Both directions)

|     |     |
|-----|-----|
| Nil | Rc  |
| TN  | NPT |
| TF  | G   |