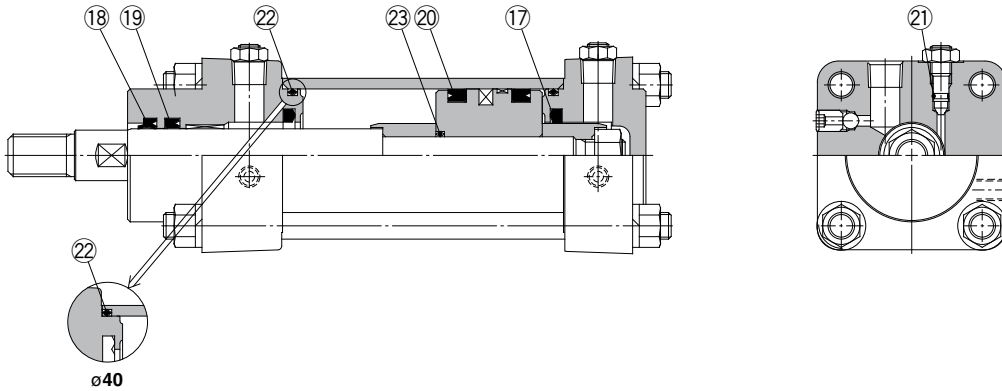


Tie-rod Type Hydraulic Cylinder/Double Acting, Single Rod

Series *CHA*

ø40, ø50, ø63, ø80
ø100, ø125, ø160

Construction



* The numbers are the same as the "Construction" of the Best Pneumatics No.8 Series CHA.

Seal Kit List

No.	Description	Material	Note
17	Cushion seal	—	23 is a non-replaceable part, so it is not included in the seal kit.
18	Wiper ring	NBR	
19	Rod seal	NBR	
20	Piston seal	NBR	
21	Needle valve seal	NBR	
22	Cylinder tube gasket	NBR	
23	Piston gasket	NBR	

*[BLUE](#) links will lead to purchase pages.

Replacement Parts: Seal Kit

Bore size (mm)	Seal kit no.	Content
40	CHA40-PS	Set of left nos. 17, 18, 19, 20, 21, 22
50	CHA50-PS	
63	CHA63-PS	
80	CHA80-PS	
100	CHA100-PS	
125	CHA125-PS	
160	CHA160-PS	

* Seal kit consists of items 17 through 22 and can be ordered using the seal kit number for each bore size.

Tie-rod Nut Tightening Torque

Bore size (mm)	Tightening torque(N·m)
40	10.8 ± 1.1
50	24.5 ± 2.4
63	24.5 ± 2.4
80	38.2 ± 3.8
100	38.2 ± 3.8
125	68.6 ± 6.8
160	107.8 ± 10.7

* Gradually tighten the tie-rod nuts equally from opposing corners so that the tightening torques become the same as those listed above.