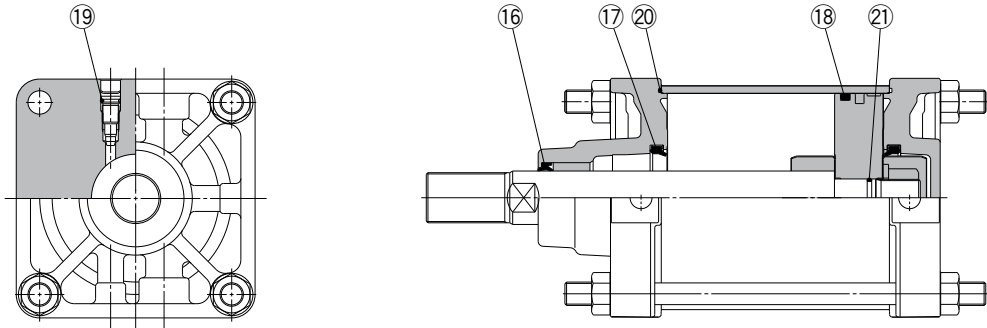


Construction

* The numbers are the same as the "Construction" of the CS2 series catalog (CAT.ES20-196).

Component Parts: Seal Kit List

No.	Description	Material	Note
16	Rod seal	NBR	19 and 21 are non-replaceable parts, so they are not included in the seal kit.
17	Cushion seal	Urethane	
18	Piston seal	NBR	
19	Valve seal	NBR	
20	Tube gasket	NBR	
21	Piston gasket	NBR	

*[BLUE](#) links will lead to purchase pages.

Replacement Parts: Seal Kit

Bore size (mm)	Kit no.	Contents
125	CS2-125A-PS	Component part numbers: 16, 17, 18, 20.
140	CS2-140A-PS	
160	CS2-160A-PS	

* Seal kit includes a grease pack (40 g).

Order with the following part number when only the grease pack is needed.

Grease pack part no.: GR-S-010 (10 g), GR-S-020 (20 g)