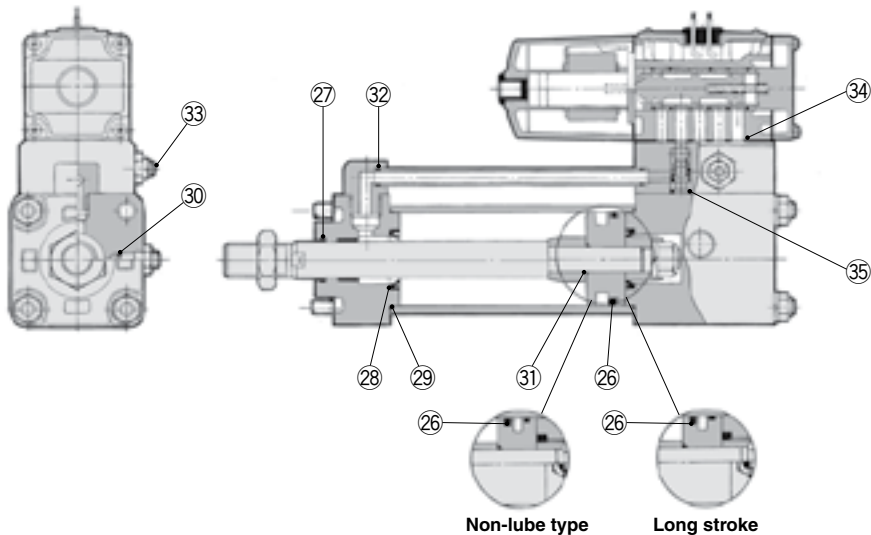


## Valve Mounted Cylinder/Double Acting

# Series CVS1

Lube, Non-lube Type:  $\varnothing 40, \varnothing 50$   
 $\varnothing 63, \varnothing 80, \varnothing 100$

### Construction



\* The numbers are the same as the "Construction" of the Best Pneumatics No.3 Series CVS1.

#### Seal Kit List

No.	Description	Material	Note
26	Piston seal	NBR	28, 31, 33 and 34 are non-replaceable parts, so they are not included in the seal kit.
27	Rod seal		
28	Cushion seal		
29	Cylinder tube gasket		
30	Cushion valve seal		
31	Piston gasket		
32	Pipe gasket		
33	Speed adjustment valve seal		
34	Gasket		
35	Valve port gasket		

\*[BLUE](#) links will lead to purchase pages.

#### Replacement Parts: Seal Kit

Bore size (mm)	Kit no.	Contents
<b>Lube type</b>		
40	<a href="#">CVS1-40-PS</a>	Set of left nos. 26, 27, 29, 30, 32, 35
50	<a href="#">CVS1-50-PS</a>	
63	<a href="#">CVS1-63-PS</a>	
80	<a href="#">CVS1-80-PS</a>	
100	<a href="#">CVS1-100-PS</a>	
<b>Non-lube type</b>		
40	<a href="#">CVS1N40-PS</a>	Set of left nos. 26, 27, 29, 30, 32, 35
50	<a href="#">CVS1N50-PS</a>	
63	<a href="#">CVS1N63-PS</a>	
80	<a href="#">CVS1N80-PS</a>	
100	<a href="#">CVS1N100-PS</a>	

\* Seal kit includes 26, 27, 29, 30, 32, 35. Order the seal kit, based on each bore size.

\* Seal kit includes a grease pack ( $\varnothing 40, \varnothing 50$ : 10 g,  $\varnothing 63, \varnothing 80$ : 20 g,  $\varnothing 100$ : 30 g).

Order with the following part number when only the grease pack is needed.

**Grease pack part no.:** GR-S-010 (10 g), GR-S-020 (20 g)

Actuators

Modular F.R.L.  
Pressure Control Equipment

Air Preparation  
Equipment

Industrial Filters

Replacement  
Procedure

Actuators

Modular F.R.L.  
Pressure Control Equipment

Industrial Filters