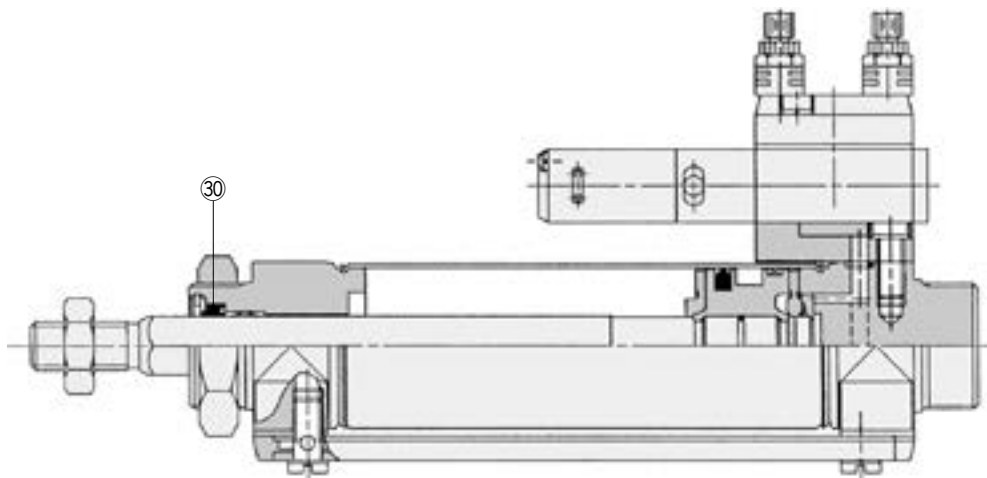


# Series CVM5K

ø20, ø25  
ø32, ø40

Replacement  
Procedure is  
P.280

## Construction



\* The numbers are the same as the "Construction" of the Best Pneumatics No.3 Series CVM5K.

\*[BLUE](#) links will lead to purchase pages.

### Seal Kit List

No.	Description	Material	Note
30	Rod seal	NBR	

### Replacement Parts: Seal Kit

Bore size (mm)	Kit no.	Contents
20	<a href="#">CM2K20-PS</a>	
25	<a href="#">CM2K25-PS</a>	
32	<a href="#">CM2K32-PS</a>	
40	<a href="#">CM2K40-PS</a>	

\* Since the seal kit does not include a grease pack, order it separately.  
Grease pack part no.: GR-S-010 (10 g)