

# Valve Mounted Cylinder/Single Acting, Spring Return/Extend

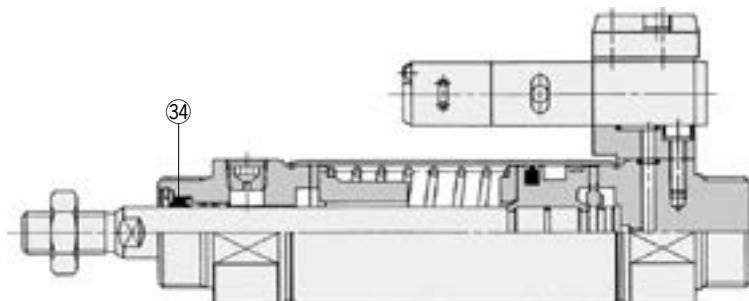
# Series CVM3

ø20, ø25, ø32, ø40

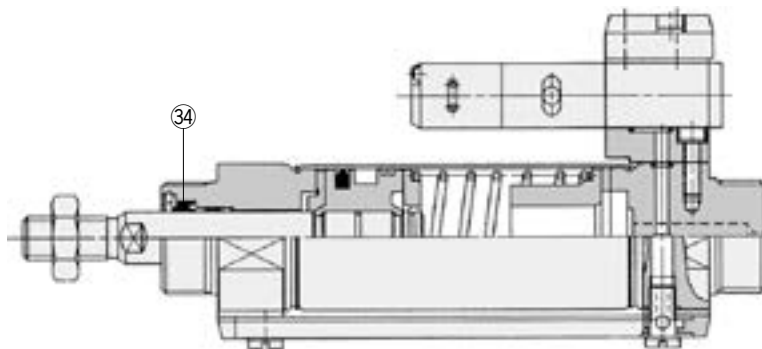
Replacement  
Procedure is  
P.280

## Construction

### Spring return



### Spring extend



\* The numbers are the same as the "Construction" of the Best Pneumatics No.3 Series CVM3.

\*[BLUE](#) links will lead to purchase pages.

### Seal Kit List

No.	Description	Material	Note
34	Rod seal	NBR	

### Replacement Parts: Seal Kit

Bore size (mm)	Kit no.	Contents
20	<a href="#">CM220-PS</a>	
25	<a href="#">CM225-PS</a>	
32	<a href="#">CM232-PS</a>	
40	<a href="#">CM240-PS</a>	

\* Since the seal kit does not include a grease pack, order it separately.  
Grease pack part no.: GR-S-010 (10 g)

Actuators

Modular F.R.L.  
Pressure Control Equipment

Air Preparation  
Equipment

Industrial Filters

Replacement  
Procedure

Actuators

Modular F.R.L.  
Pressure Control Equipment

Industrial Filters