

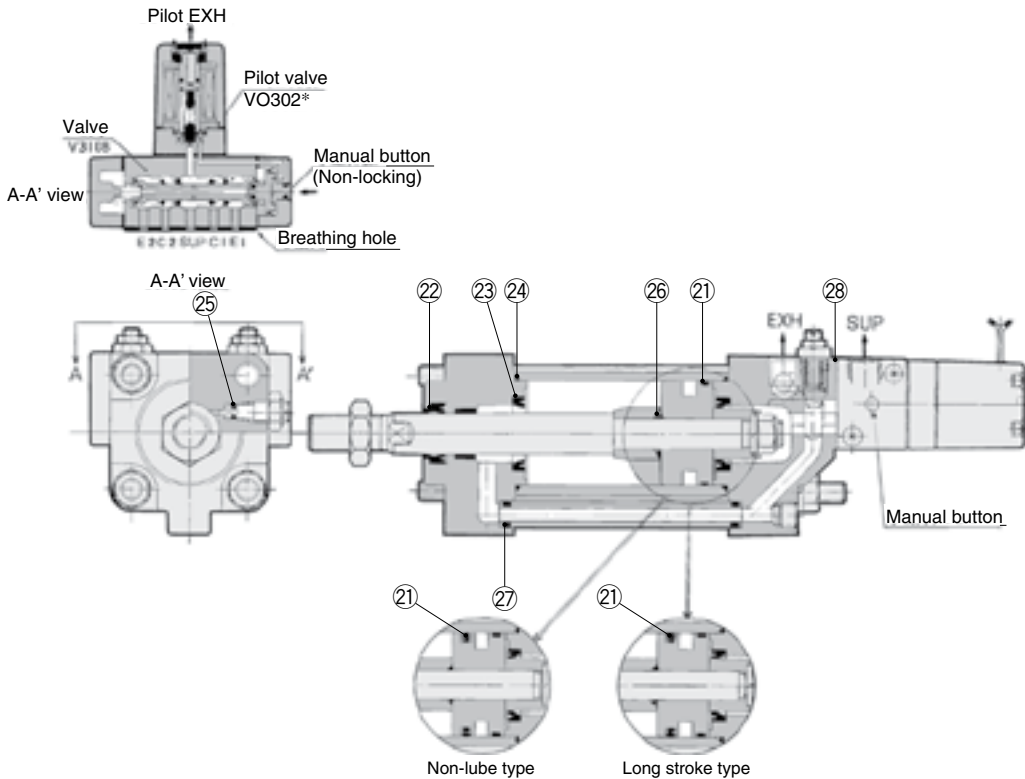
Valve Mounted Cylinder/Double Acting

Series CV3

Lube, Non-lube type:
 ø40, ø50, ø63, ø80, ø100

Construction

Lube type



* The numbers are the same as the "Construction" of the Best Pneumatics No.3 Series CV3.

Seal Kit List

No.	Description	Material	Note
①	Piston seal	NBR	23 and 26 are non-replaceable parts, so they are not included in the seal kit.
②	Rod seal		
23	Cushion seal		
④	Cylinder tube gasket		
⑤	Cushion valve seal		
26	Piston gasket		
⑦	Pipe gasket		
⑧	Head cover gasket		

*[BLUE](#) links will lead to purchase pages.

Replacement Parts: Seal Kit

Bore size (mm)	Kit no.	Contents
Lube type		
40	CV3-40-PS	Set of left nos. ①, ②, ④, ⑤, ⑦, ⑧
50	CV3-50-PS	
63	CV3-63-PS	
80	CV3-80-PS	
100	CV3-100-PS	
Non-lube type		
40	CV3N40-PS	Set of left nos. ①, ②, ④, ⑤, ⑦, ⑧
50	CV3N50-PS	
63	CV3N63-PS	
80	CV3N80-PS	
100	CV3N100-PS	

* Seal kit includes ①, ②, ④, ⑤, ⑦, ⑧. Order the seal kit, based on each bore size.

* Seal kit includes a grease pack (ø40, ø50: 10 g, ø63, ø80: 20 g, ø100: 30 g).

Order with the following part number when only the grease pack is needed.

Grease pack part no.: GR-S-010 (10 g), GR-S-020 (20 g)

Actuators

Modular F.R.L.
Pressure Control Equipment

Air Preparation
Equipment

Industrial Filters

Replacement
Procedure

Actuators

Modular F.R.L.
Pressure Control Equipment

Industrial Filters