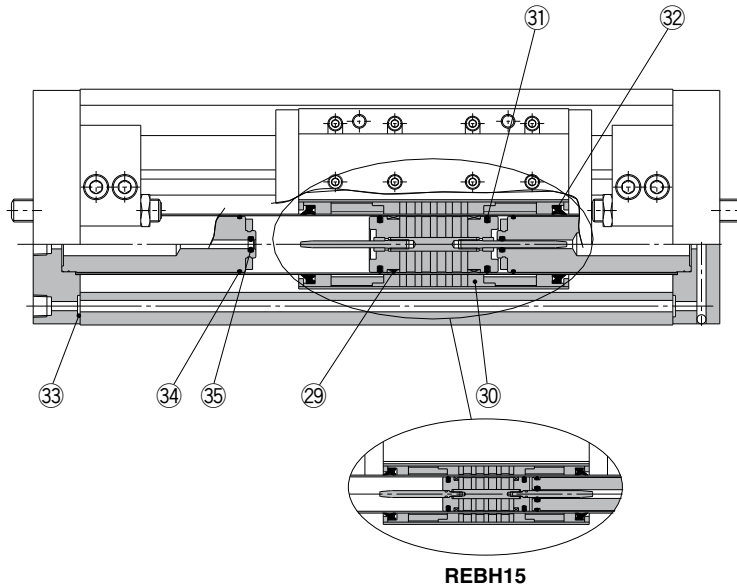


Series **REBH**

Single axis type: $\varnothing 15, \varnothing 25$

Construction

Single axis type: $\varnothing 15, \varnothing 25$



* The numbers are the same as the "Construction" of the Best Pneumatics No.3 Series REBH.

*[BLUE](#) links will lead to purchase pages.

Seal Kit List

No.	Description	Material	Note
29	Wear ring A	Special resin	
30	Wear ring B	Special resin	
31	Piston seal	NBR	
32	Scraper	NBR	
33	O-ring	NBR	
34	O-ring	NBR	
35	Cushion seal	NBR	

Replacement Parts: Seal Kit

Bore size (mm)	Kit no.	Contents
15	REBH15-PS	Set of left nos. 29, 30,
25	REBH25-PS	31, 32, 33, 34, 35

Note) Cushion seal 35 may be difficult to be replaced.

* Seal kit includes a grease pack (10 g).

Order with the following part number when only the grease pack is needed.

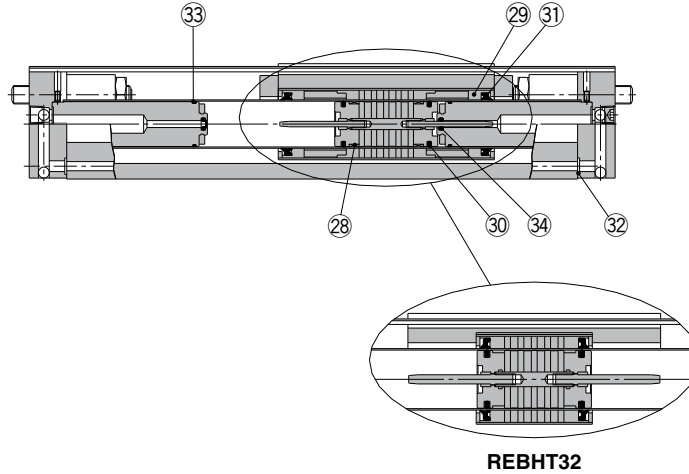
Grease pack part no.: GR-S-010 (10 g)

Series REBH

Double axis type: $\phi 25$, $\phi 32$

Construction

Double axis type: $\phi 25$, $\phi 32$



* The numbers are the same as the "Construction" of the Best Pneumatics No.3 Series REBH.

*[BLUE](#) links will lead to purchase pages.

Seal Kit List

No.	Description	Material	Note
28	Wear ring A	Special resin	
29	Wear ring B	Special resin	
30	Piston seal	NBR	
31	Scraper	NBR	
32	O-ring	NBR	
33	O-ring	NBR	
34	Cushion seal	NBR	

Replacement Parts: Seal Kit

Bore size (mm)	Kit no.	Contents
25	REBH25-PS	Set of left nos.
32	REBH32-PS	28, 29, 30, 31, 32, 33, 34

Note) Cushion seal 34 may be difficult to be replaced.

* Seal kit includes a grease pack (10 g).

Order with the following part number when only the grease pack is needed.

Grease pack part no.: GR-S-010 (10 g)

Actuators

Modular F.R.L.
Pressure Control Equipment

Air Preparation
Equipment

Industrial Filters

Replacement
Procedure

Actuators

Modular F.R.L.
Pressure Control Equipment

Industrial Filters