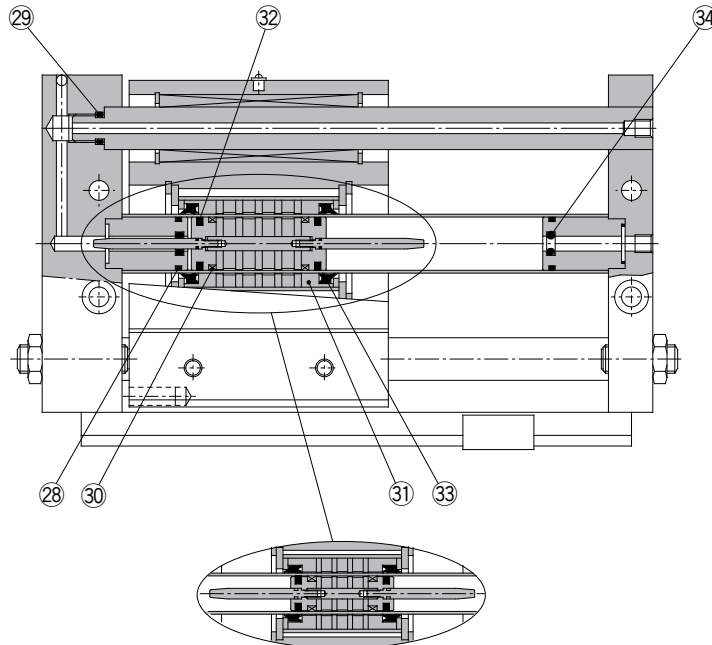


# Series REAL

Ball Bushing Bearing:  $\phi 10, \phi 15$

## Construction

$\phi 10, \phi 15$



**REAL10**

\* The numbers are the same as the "Construction" of the Best Pneumatics No.3 Series REAL.

\*[BLUE](#) links will lead to purchase pages.

### Seal kit List

No.	Description	Material	Note
28	Cylinder tube gasket	NBR	
29	Guide shaft gasket	NBR	
30	Wear ring A	Special resin	$\phi 10$ : Not available
31	Wear ring B	Special resin	
32	Piston seal	NBR	
33	Scraper	NBR	
34	Cushion seal	NBR	

### Replacement Parts: Seal Kit

Bore size (mm)	Kit no.	Contents
10	<a href="#">REAL10-PS</a>	Set of left nos. 28, 29, 31, 32, 33, 34
15	<a href="#">REAS15-PS</a>	Set of left nos. 28, 29, 30, 31, 32, 33, 34

\* Seal kit includes 28 to 34. Order the seal kit, based on each bore size.  
Note) It may be difficult to replace the cushion seal 34.

Note) For wear ring A of  $\phi 10$ , please consult with SMC.

\* Seal kit includes a grease pack ( $\phi 10$ : 5 g and 10 g,  $\phi 15$ : 10 g).

Order with the following part number when only the grease pack is needed.

For  $\phi 10$  grease pack part no.: GR-F-005 (5 g) for external sliding part

GR-S-010 (10 g) for tube interior

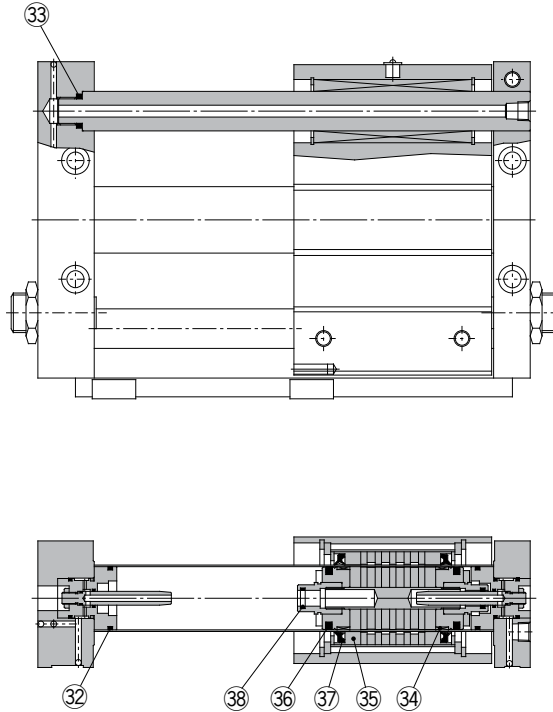
For  $\phi 15$  grease pack part no.: GR-S-010 (10 g)

# Series REAL

Ball Bushing Bearing:  $\varnothing 20$ ,  $\varnothing 25$   
 $\varnothing 32$ ,  $\varnothing 40$

## Construction

$\varnothing 20$  to  $\varnothing 40$



\* The numbers are the same as the "Construction" of the Best Pneumatics No.3 Series REAL.

### Seal Kit List

No.	Description	Material	Note
32	Cylinder tube gasket	NBR	
33	Guide shaft gasket	NBR	
34	Wear ring A	Special resin	
35	Wear ring B	Special resin	
36	Piston seal	NBR	
37	Scraper	NBR	
38	Cushion seal	NBR	

\*[BLUE](#) links will lead to purchase pages.

### Replacement Parts: Seal Kit

Bore size (mm)	Kit no.	Contents
20	<a href="#">REAS20-PS</a>	Set of left nos. 32, 33, 34, 35, 36, 37, 38
25	<a href="#">REAS25-PS</a>	
32	<a href="#">REAS32-PS</a>	
40	<a href="#">REAS40-PS</a>	

\* Seal kit includes 32 to 38. Order the seal kit, based on each bore size. Note) It may be difficult to replace the cushion seal 38.

\* Seal kit includes a grease pack (10 g).

Order with the following part number when only the grease pack is needed.

**Grease pack part no.: GR-S-010 (10 g)**

Actuators

Modular F.R.L.  
Pressure Control Equipment

Air Preparation  
Equipment

Industrial Filters

Replacement  
Procedure

Actuators

Modular F.R.L.  
Pressure Control Equipment

Industrial Filters