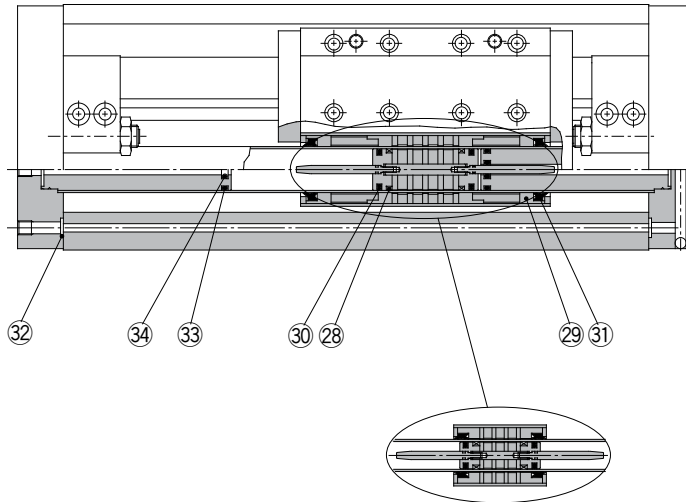


Series REAH

Single axis type: $\phi 10$, $\phi 15$

Construction

Single axis type: $\phi 10$, $\phi 15$



REAH10

* The numbers are the same as the "Construction" of the Best Pneumatics No.3 Series REAH.

*[BLUE](#) links will lead to purchase pages.

Seal Kit List

| No. | Description | Material | Note |
|-----|--------------|---------------|---------------------------|
| 28 | Wear ring A | Special resin | $\phi 10$: Not available |
| 29 | Wear ring B | Special resin | |
| 30 | Piston seal | NBR | |
| 31 | Scraper | NBR | |
| 32 | O-ring | NBR | |
| 33 | O-ring | NBR | |
| 34 | Cushion seal | NBR | |

Replacement Parts: Seal Kit

| Bore size (mm) | Kit no. | Contents |
|----------------|---------------------------|---|
| 10 | REAH10-PS | Set of left nos. 29, 30, 31, 32, 33, 34 |
| 15 | REAH15-PS | Set of left nos. 28, 29, 30, 31, 32, 33, 34 |

Note) Seal kit includes 28 to 34. Order the seal kit, based on each bore size.

Note) It may be difficult to replace the cushion seal 34.

Note) For wear ring A of $\phi 10$, please consult with SMC.

* Seal kit includes a grease pack ($\phi 10$: 5 g and 10 g, $\phi 15$: 10 g).

Order with the following part number when only the grease pack is needed.

For $\phi 10$ grease pack part no.: GR-F-005 (5 g) for external sliding part
GR-S-010 (10 g) for tube interior

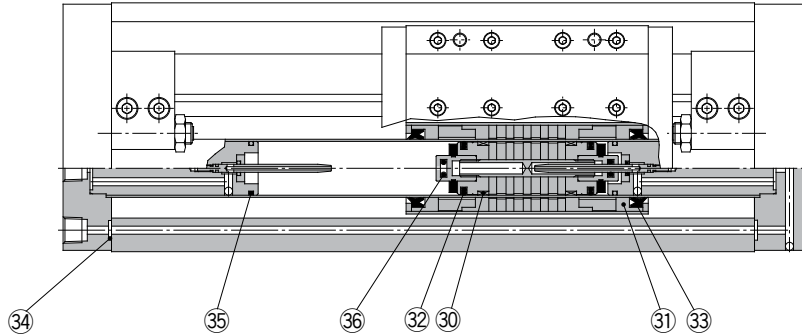
For $\phi 15$ grease pack part no.: GR-S-010 (10 g)

Series REAH

Single axis type: $\varnothing 20$, $\varnothing 25$

Construction

Single axis type: $\varnothing 20$, $\varnothing 25$



* The numbers are the same as the "Construction" of the Best Pneumatics No.3 Series REAH.

Seal Kit List

| No. | Description | Material | Note |
|-----|--------------|---------------|------|
| 30 | Wear ring A | Special resin | |
| 31 | Wear ring B | Special resin | |
| 32 | Piston seal | NBR | |
| 33 | Scraper | NBR | |
| 34 | O-ring | NBR | |
| 35 | O-ring | NBR | |
| 36 | Cushion seal | NBR | |

*[BLUE](#) links will lead to purchase pages.

Replacement Parts: Seal Kit

| Bore size (mm) | Kit no. | Contents |
|----------------|---------------------------|----------------------------|
| 20 | REAH20-PS | Set of left nos. |
| 25 | REAH25-PS | 30, 31, 32, 33, 34, 35, 36 |

Note) Seal kit includes 30 to 36. Order the seal kit, based on each bore size.

Note) It may be difficult to replace the cushion seal 36.

* Seal kit includes a grease pack (10 g).

Order with the following part number when only the grease pack is needed.

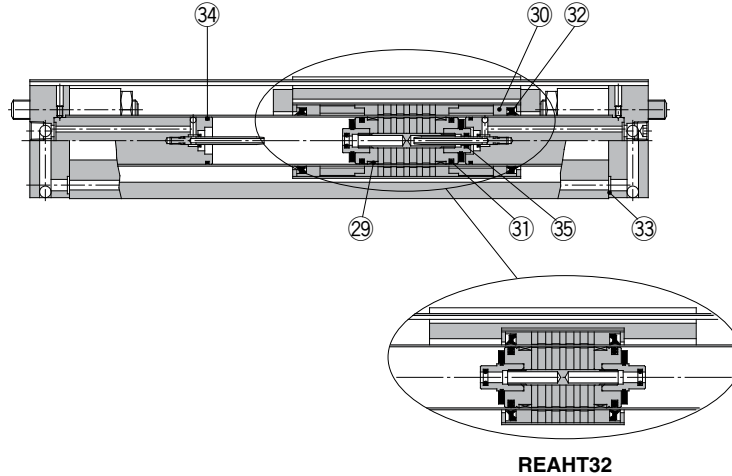
Grease pack part no.: GR-S-010 (10 g)

Series REAH

Double axis type: $\phi 25$, $\phi 32$

Construction

Double axis type: $\phi 25$, $\phi 32$



* The numbers are the same as the "Construction" of the Best Pneumatics No.3 Series REAH.

*[BLUE](#) links will lead to purchase pages.

Seal Kit List

| No. | Description | Material | Note |
|-----|--------------|---------------|------|
| 29 | Wear ring A | Special resin | |
| 30 | Wear ring B | Special resin | |
| 31 | Piston seal | NBR | |
| 32 | Scraper | NBR | |
| 33 | O-ring | NBR | |
| 34 | O-ring | NBR | |
| 35 | Cushion seal | NBR | |

Replacement Parts: Seal Kit

| Bore size (mm) | Kit no. | Contents |
|----------------|---------------------------|---|
| 25 | REAH25-PS | Set of left nos. 29, 30, 31, 32, 33, 34, 35 |
| 32 | REAH32-PS | |

Note) Seal kit includes 29 to 35. Order the seal kit, based on each bore size.

Note) It may be difficult to replace the cushion seal 35.

* Seal kit includes a grease pack (10 g).

Order with the following part number when only the grease pack is needed.

Grease pack part no.: GR-S-010 (10 g)