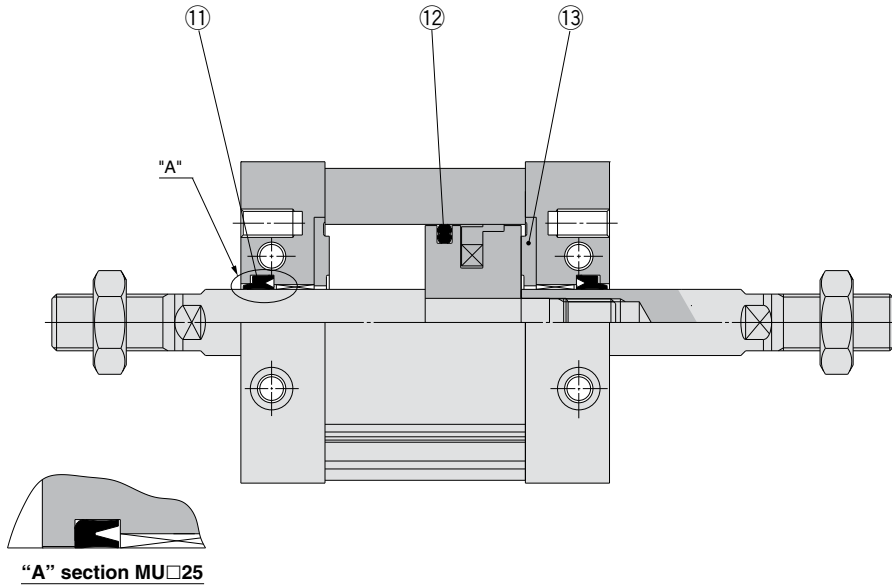


# Series MUW

ø25, ø32, ø40, ø50, ø63

## Construction



\* The numbers are the same as the "Construction" of the MU series catalog (CAT.ES20-208).

\*[BLUE](#) links will lead to purchase pages.

### Seal Kit List

No.	Description	Material	Note
①	Rod seal	NBR	
②	Piston seal		
③	Bumper		

### Replacement Parts: Seal Kit

Bore size (mm)	Kit no.	Contents
25	<a href="#">MUW25-PS</a>	Set of left nos. ①, ②, ③.
32	<a href="#">MUW32-PS</a>	
40	<a href="#">MUW40-PS</a>	
50	<a href="#">MUW50-PS</a>	
63	<a href="#">MUW63-PS</a>	

\* Seal kit includes ① to ③. Order the seal kit, based on each bore size.

\* Since the seal kit does not include a grease pack, order it separately.

**Grease pack part no.: GR-S-010** (10 g)