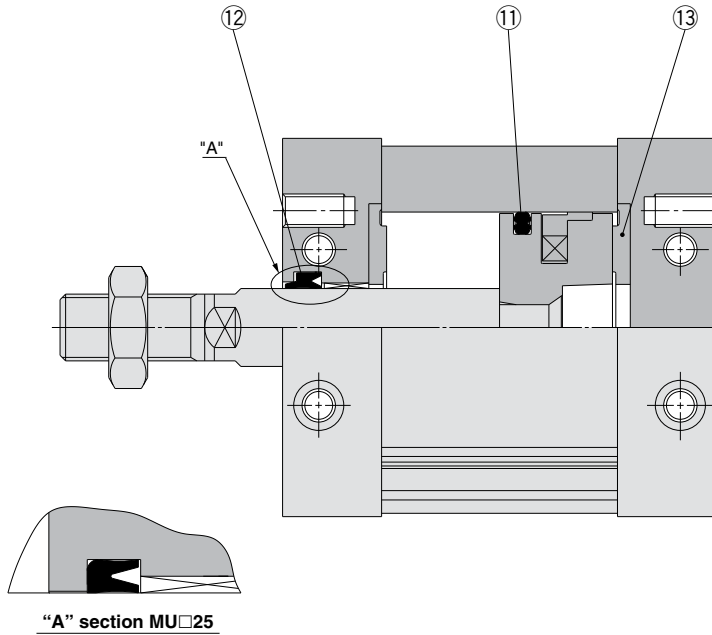


Series MU

ø25, ø32, ø40, ø50, ø63

Construction



* The numbers are the same as the "Construction" of the MU series catalog (CAT.ES20-208).

*[BLUE](#) links will lead to purchase pages.

Seal Kit List

No.	Description	Material	Note
①	Piston seal	NBR	
⑫	Rod seal	NBR	
⑬	Bumper	Urethane	

Replacement Parts: Seal Kit

Bore size (mm)	Kit no.	Contents
25	MUB25-PS	Set of left nos. ①, ⑫, ⑬.
32	MUB32-PS	
40	MUB40-PS	
50	MUB50-PS	
63	MUB63-PS	

* Seal kit includes ① to ⑬. Order the seal kit, based on each bore size.

* Since the seal kit does not include a grease pack, order it separately.

Grease pack part no.: GR-S-010 (10 g)

Actuators

Modular F.R.L.
Pressure Control Equipment

Air Preparation
Equipment

Industrial Filters

Replacement
Procedure

Actuators

Modular F.R.L.
Pressure Control Equipment

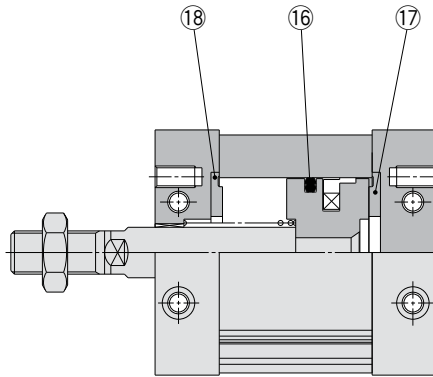
Industrial Filters

Series MU

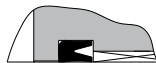
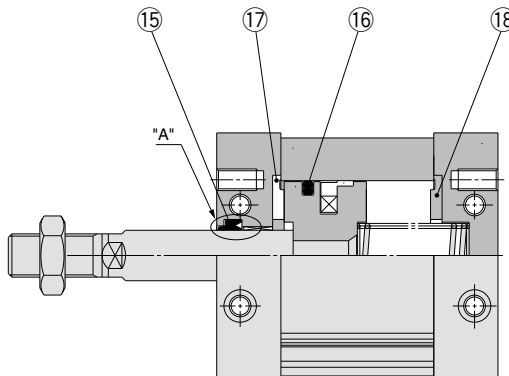
ø25, ø32, ø40, ø50, ø63

Construction

Spring return



Spring extend



"A" section MU□25

* The numbers are the same as the "Construction" of the MU series catalog (CAT.ES20-208).

*[BLUE](#) links will lead to purchase pages.

Seal Kit List

No.	Description	Material	Note
15	Rod seal	NBR	
16	Piston seal	NBR	
17	Bumper	Urethane	
18	Bumper B	Urethane	

Replacement Parts: Seal Kit

Bore size (mm)	Kit no.		Contents
	Spring return	Spring extend	
25	MU25S-PS	MU25T-PS	For spring return type: 16, 17, 18 as a set
32	MU32S-PS	MU32T-PS	
40	MU40S-PS	MU40T-PS	For spring extend type: 15, 16, 17, 18 as a set
50	MU50S-PS	MU50T-PS	
63	MU63S-PS	MU63T-PS	

* Seal kit includes 15, 16, 17, 18 (excluding 15 for spring return type).
Order them with a part number for each bore size.

* Since the seal kit does not include a grease pack, order it separately.

Grease pack part no.: GR-S-010 (10 g)

Actuators

Modular F.R.L.
Pressure Control Equipment

Air Preparation
Equipment

Industrial Filters

Replacement
Procedure

Actuators

Modular F.R.L.
Pressure Control Equipment

Industrial Filters