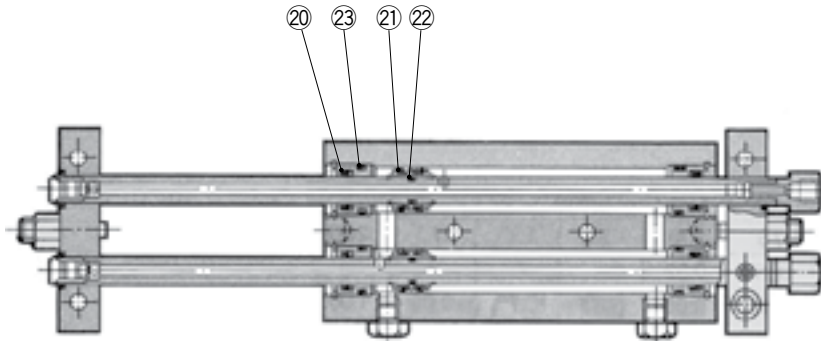
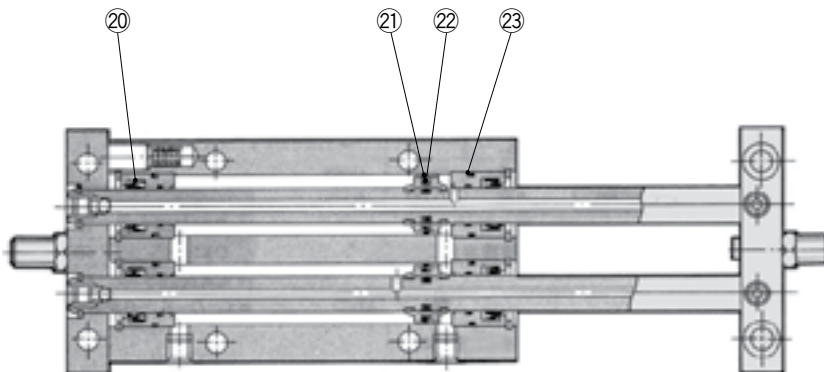


Construction**CX2N10****CX2N15, 25**

* The numbers are the same as the "Construction" of the Best Pneumatics No.3 Series CX2.

*[BLUE](#) links will lead to purchase pages.

Seal Kit List

No.	Description	Material	Note
⑳	Rod seal	NBR	22 is a non-replaceable part, so it is not included in the seal kit.
㉑	Piston seal		
㉒	Piston gasket		
㉓	Cylinder tube gasket		

Replacement Parts: Seal Kit

Model	Kit no.	Contents
CX2N10	CX2N10-PS	Set of left nos. ㉑, ㉒, ㉓
CX2N15	CX2N15-PS	
CX2N25	CX2N25-PS	

* Seal kit includes ㉑, ㉒, ㉓. Order the seal kit, based on each bore size. (The piston gasket ㉒ is not replaceable.)

* Since the seal kit does not include a grease pack, order it separately.
Grease pack part no.: GR-S-010 (10 g)