

# Stopper Cylinder/Fixed Mounting Height

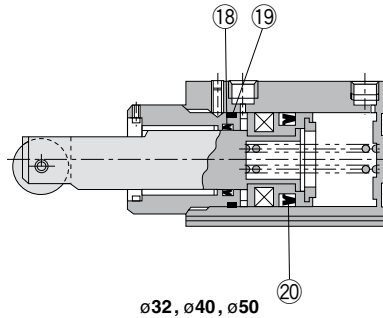
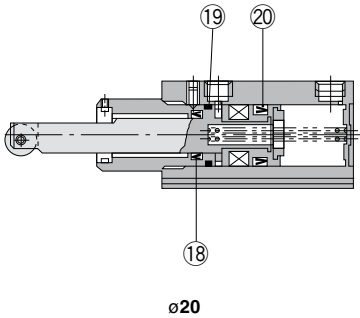
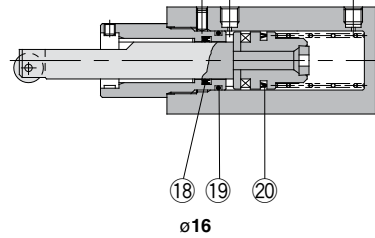
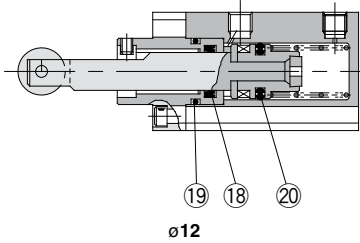
# Series RSQ

ø12, ø16, ø20,  
ø32, ø40, ø50

Replacement  
Procedure is  
P.385

## Construction

### Roller rod end



\* The numbers are the same as the "Construction" of the Best Pneumatics No.3 Series RSQ.

\*[BLUE](#) links will lead to purchase pages.

### Seal Kit List

No.	Description	Material	Note
18	Rod seal	NBR	
19	Gasket		
20	Piston seal		

### Replacement Parts: Seal Kit

Bore size (mm)	Kit no.			Contents
	Double acting	Double acting with spring loaded	Single acting	
12	<a href="#">RSQ12D-PS</a>	<a href="#">RSQ12T-PS</a>		Set of left nos. 18, 19, 20
16	<a href="#">RSQ16D-PS</a>	<a href="#">RSQ16B-PS</a>	<a href="#">RSQ16T-PS</a>	
20	<a href="#">RSQ20D-PS</a>	<a href="#">RSQ20B-PS</a>	<a href="#">RSQ20T-PS</a>	
32	<a href="#">RSQ32D-PS</a>	<a href="#">RSQ32B-PS</a>	<a href="#">RSQ32T-PS</a>	
40	<a href="#">RSQ40D-PS</a>	<a href="#">RSQ40B-PS</a>	<a href="#">RSQ40T-PS</a>	
50	<a href="#">RSQ50D-PS</a>	<a href="#">RSQ50B-PS</a>	<a href="#">RSQ50T-PS</a>	

\* Seal kit includes 18, 19, 20. Order the seal kit, based on each bore size.

\* Since the seal kit does not include a grease pack, order it separately.

Grease pack part no.: GR-S-010 (10 g)

### Replacement Parts: Shock Absorber

Bore size (mm)	Kit no.
32	<a href="#">RB1007-X225</a>
40, 50	<a href="#">RB1407-X552</a>