

# Series MGQ

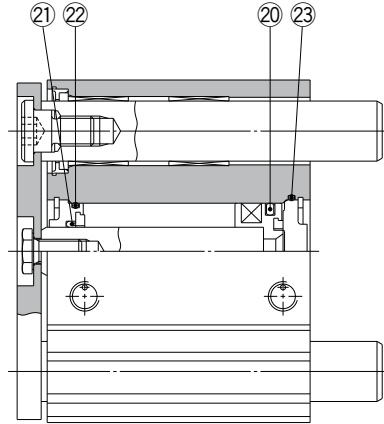
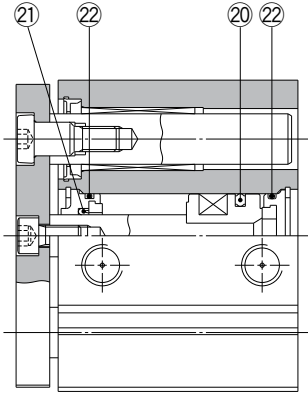
ø12, ø16, ø20, ø25  
ø32, ø40, ø50, ø63  
ø80, ø100

Replacement  
Procedure is  
P.333

## Construction

MGQM12 to 25

MGQM32 to 100



\* The numbers are the same as the "Construction" of the Best Pneumatics No.3 Series MGQ.

### Seal Kit List

No.	Description	Material	Note
20	Piston seal	NBR	
21	Rod seal		
22	Gasket A		
23	Gasket B		

\*[BLUE](#) links will lead to purchase pages.

### Replacement Parts: Seal Kit

Bore size (mm)	Kit no.	Description
12	<a href="#">MGQ12-PS</a>	Set of left nos. 20, 21, 22, 23
16	<a href="#">MGQ16-PS</a>	
20	<a href="#">MGQ20-PS</a>	
25	<a href="#">MGQ25-PS</a>	
32	<a href="#">MGQ32-PS</a>	
40	<a href="#">MGQ40-PS</a>	
50	<a href="#">MGQ50-PS</a>	
63	<a href="#">MGQ63-PS</a>	
80	<a href="#">MGQ80-PS</a>	
100	<a href="#">MGQ100-PS</a>	

\* Seal kit includes 20 to 23. Order the seal kit, based on each bore size.

\* Since the seal kit does not include a grease pack, order it separately.

**Grease pack part no.:** GR-S-010 (10 g)

Actuators

Modular F.R.L.  
Pressure Control Equipment

Air Preparation  
Equipment

Industrial Filters

Replacement  
Procedure

Actuators

Modular F.R.L.  
Pressure Control Equipment

Industrial Filters