

Compact Guide Cylinder/Wide Type

Series MGPW

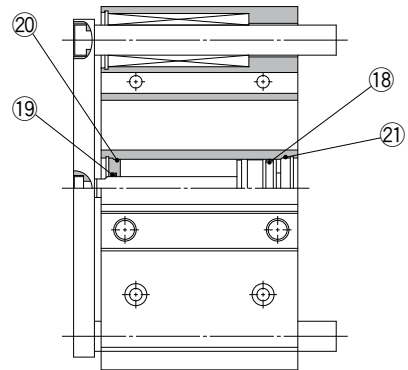
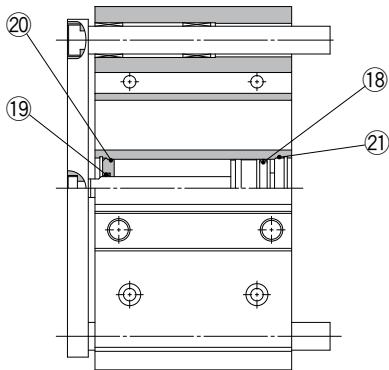
Replacement
Procedure is
p.333

Construction: Series MGPWM, MGPWL, MGPWA

MGPWM20 to 63

MGPWL20 to 63

MGPWA20 to 63



* The numbers are the same as the "Construction" of the MGPW series catalog (CAT.ES20-228).

Seal Kit List

No.	Description	Material	Note
18	Piston seal	NBR	
19	Rod seal		
20	Gasket A		
21	Gasket B		

*[BLUE](#) links will lead to purchase pages.

Replacement Parts: Seal Kit

Bore size (mm)	Kit no.	Contents	Bore size (mm)	Kit no.	Contents
20	MGP20-Z-PS	Set of left nos.	40	MGP40-Z-PS	Set of left nos.
25	MGP25-Z-PS	18, 19,	50	MGP50-Z-PS	18, 19,
32	MGP32-Z-PS	20, 21	63	MGP63-Z-PS	20, 21

* Seal kit includes 18 to 21. Order the seal kit, based on each bore size.

* Since the seal kit does not include a grease pack, order it separately.

Grease pack part no.: GR-S-010 (10 g)