

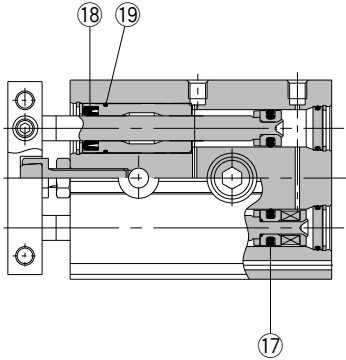
Series CXSJ

ø6, ø10, ø15, ø20
ø25, ø32

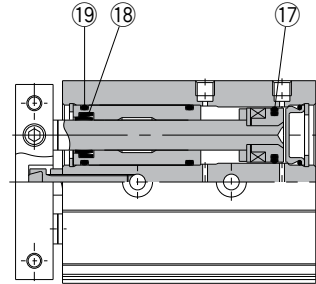
Replacement
Procedure is
P.339

Construction

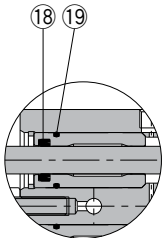
CXSJM (Slide bearing)
CXSJM6



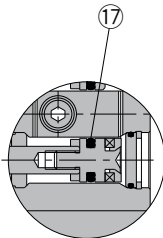
CXSJM15



CXSJM10

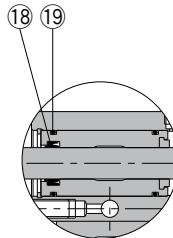


Rod cover

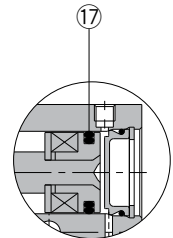


Piston rod B-side piston

CXSJM20 to 32



Rod cover



Head cover

* The numbers are the same as the "Construction" of the Best Pneumatics No.3 Series CXSJ.

Seal Kit List

No.	Description	Material	Note
17	Piston seal	NBR	
18	Rod seal		
19	O-ring		

*[BLUE](#) links will lead to purchase pages.

Replacement Parts: Seal Kit

Model	Seal kit no.	Contents
CXSJM6	CXSM6-PS	Set of left nos. 17, 18, 19
CXSJM10	CXSM10-PS	
CXSJM15	CXSM15-PS	
CXSJM20	CXSM20-PS	
CXSJM25	CXSM25-PS	
CXSJM32	CXSM32-PS	

* Seal kit includes 17, 18, and 19. Order the seal kit, based on each bore size.

* Since the seal kit does not include a grease pack, order it separately.
Grease pack part no.: GR-S-010 (10 g)

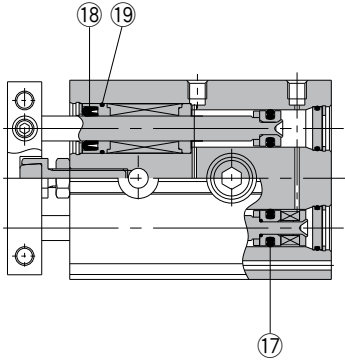
Series CXSJ

ø6, ø10, ø15, ø20
ø25, ø32

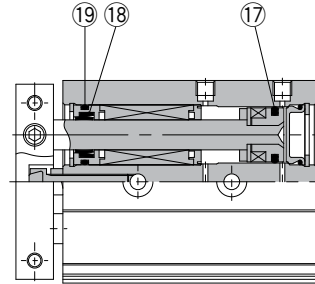
Replacement
Procedure is
P.339

Construction

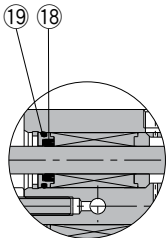
CXSJL (Ball bushing bearing)
CXSJL6



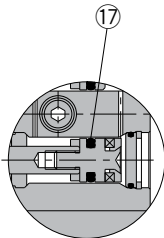
CXSJL15



CXSJL10

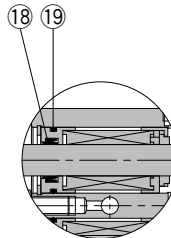


Rod cover

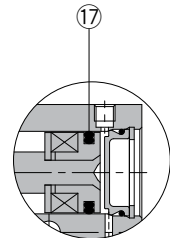


Piston rod B-side piston

CXSJL20 to 32



Rod cover



Head cover

* The numbers are the same as the "Construction" of the Best Pneumatics No.3 Series CXSJ.

Seal Kit List

No.	Description	Material	Note
17	Piston seal	NBR	
18	Rod seal		
19	O-ring		

*[BLUE](#) links will lead to purchase pages.

Replacement Parts: Seal Kit

Model	Seal kit no.	Contents
CXSJL6	CXSJL6-PS	Set of left nos. 17, 18, 19
CXSJL10	CXSJL10-PS	
CXSJL15	CXSL15A-PS	
CXSJL20	CXSL20A-PS	
CXSJL25	CXSL25A-PS	
CXSJL32	CXSL32A-PS	

* Seal kit includes 17, 18, and 19. Order the seal kit, based on each bore size.

* Since the seal kit does not include a grease pack, order it separately.
Grease pack part no.: GR-S-010 (10 g)

Actuators

Modular F.R.L.
Pressure Control Equipment

Air Preparation
Equipment

Industrial Filters

Replacement
Procedure

Actuators

Modular F.R.L.
Pressure Control Equipment

Industrial Filters