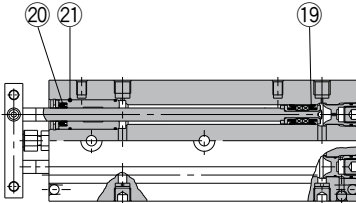
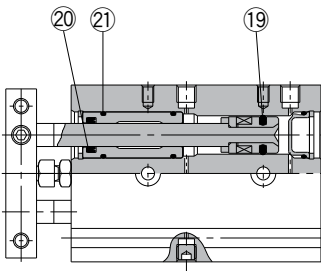
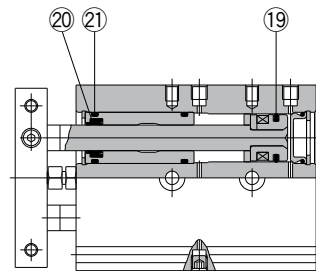
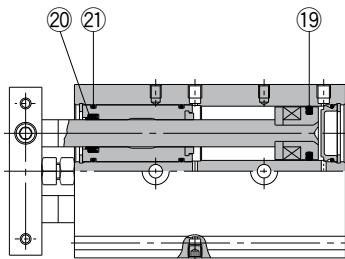


**Construction****CXSM6****CXSM10****CXSM15****CXSM20 to 32**

\* The numbers are the same as the "Construction" of the Best Pneumatics No.3 Series CXS.

**Seal Kit List**

No.	Description	Material	Note
①9	Piston seal	NBR	
②0	Rod seal		
②1	O-ring		

\***BLUE** links will lead to purchase pages.

**Replacement Parts: Seal Kit**

Bore size (mm)	Kit no.	Contents
6	<a href="#">CXSM6-PS</a>	Set of left nos. (19, 20, 21)
10	<a href="#">CXSM10A-PS</a>	
15	<a href="#">CXSM15-PS</a>	
20	<a href="#">CXSM20-PS</a>	
25	<a href="#">CXSM25-PS</a>	
32	<a href="#">CXSM32-PS</a>	

\* Seal kit includes ①9, ②0 and ②1. Order the seal kit, based on each bore size.

\* Since the seal kit does not include a grease pack, order it separately.  
**Grease pack part no.:** GR-S-010 (10 g)

# Dual Rod Cylinder/Basic Type: Ball Bushing Bearing

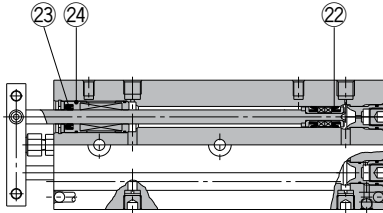
# Series CXS

ø6, ø10, ø15, ø20, ø25, ø32

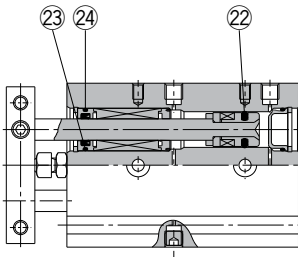
Replacement  
Procedure is  
P.339

## Construction

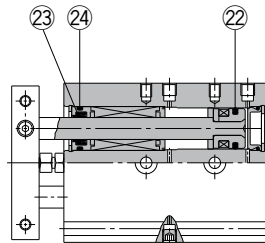
### CXSL6



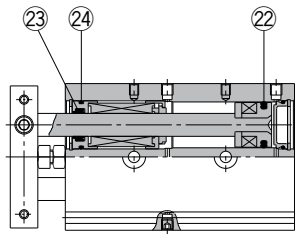
### CXSL10



### CXSL15



### CXSL20 to 32



\* The numbers are the same as the "Construction" of the Best Pneumatics No.3 Series CXS.

### Seal Kit List

No.	Description	Material	Note
22	Piston seal	NBR	
23	Rod seal		
24	O-ring		

\*[BLUE](#) links will lead to purchase pages.

### Replacement Parts: Seal Kit

Bore size (mm)	Kit no.	Contents
6	<a href="#">CXSL6-PS</a>	Set of left nos. 22, 23, 24
10	<a href="#">CXSL10B-PS</a>	
15	<a href="#">CXSL15A-PS</a>	
20	<a href="#">CXSL20A-PS</a>	
25	<a href="#">CXSL25A-PS</a>	
32	<a href="#">CXSL32A-PS</a>	

\* Seal kit includes 22, 23 and 24. Order the seal kit, based on each bore size.

\* Since the seal kit does not include a grease pack, order it separately.  
Grease pack part no.: GR-S-010 (10 g)

Actuators

Modular F.R.L.  
Pressure Control Equipment

Air Preparation  
Equipment

Industrial Filters

Replacement  
Procedure

Actuators

Modular F.R.L.  
Pressure Control Equipment

Industrial Filters

# Dual Rod Cylinder/With Air Cushion

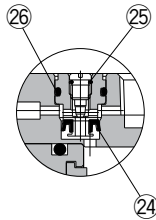
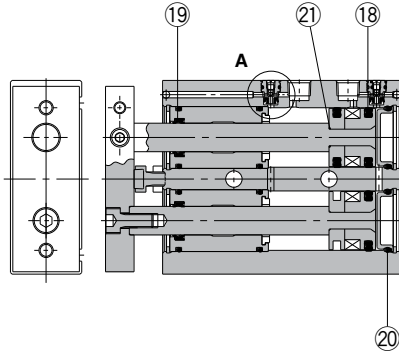
# Series CXS

ø20, ø25, ø32

Replacement  
Procedure is  
P.339

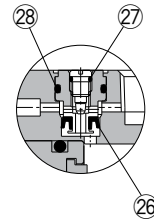
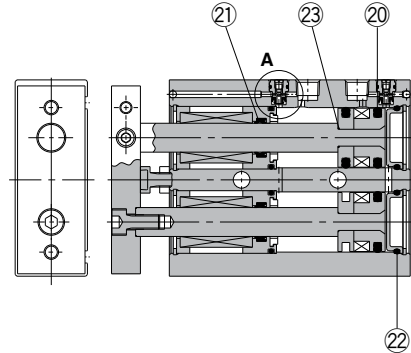
## Construction

### CXSM/With air cushion



Close-up of A

### CXSL/With air cushion



Close-up of A

\* The numbers are the same as the "Construction" of the Best Pneumatics No.3 Series CXS.

\*[BLUE](#) links will lead to purchase pages.

### Seal Kit List

No.	Description	Material	Note
18	Piston seal	NBR	21 and 24 to 26 are non-replaceable parts, so they are not included in the seal kit.
19	Rod seal		
20	O-ring		
21	O-ring		
24	Check seal		
25	Needle gasket		
26	Check gasket		

### Seal Kit List

No.	Description	Material	Note
20	Piston seal	NBR	23 and 26 to 28 are non-replaceable parts, so they are not included in the seal kit.
21	Rod seal		
22	O-ring		
23	O-ring		
26	Check seal		
27	Needle gasket		
28	Check gasket		

### Replacement Parts: Seal Kit

Bore size (mm)	Kit no.	Contents
20	<a href="#">CXSM20A-PS</a>	Set of nos. above 18, 19, 20
25	<a href="#">CXSM25A-PS</a>	
32	<a href="#">CXSM32A-PS</a>	

\* Seal kit includes 18, 19 and 20. Order the seal kit, based on each bore size.

\* Since the seal kit does not include a grease pack, order it separately.  
Grease pack part no.: GR-S-010 (10 g)

### Replacement Parts: Seal Kit

Bore size (mm)	Kit no.	Contents
20	<a href="#">CXSL20A-PS</a>	Set of nos. above 20, 21, 22
25	<a href="#">CXSL25A-PS</a>	
32	<a href="#">CXSL32A-PS</a>	

\* Seal kit includes 20, 21 and 22. Order the seal kit, based on each bore size.

\* Since the seal kit does not include a grease pack, order it separately.  
Grease pack part no.: GR-S-010 (10 g)

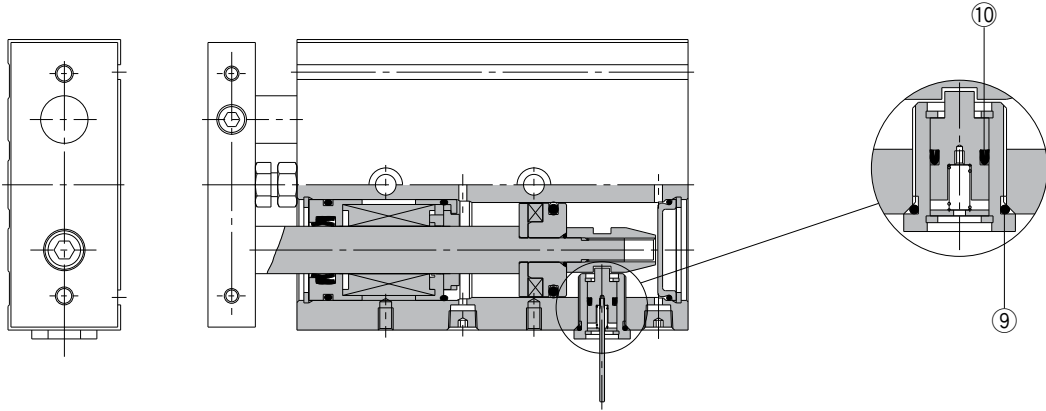
# Series CXS

ø6, ø10, ø15, ø20, ø25, ø32

Replacement Procedure is P.339

## Construction

### CXSM6



\* The numbers are the same as the "Construction" of the Best Pneumatics No.3 Series CXS.

\*[BLUE](#) links will lead to purchase pages.

### Seal Kit List

No.	Description	Material	Note
⑨	O-ring	NBR	
⑩	Rod seal		

### Replacement Parts: Seal Kit

Bore size (mm)	Kit no.	Contents
6	<a href="#">CXSRM6-PS</a>	Includes the kit components of the seal kit featured on page 149 plus items ⑨ and ⑩ from the left parts list.
	<a href="#">CX SRL6A-PS</a>	
10	<a href="#">CXSRM10-PS</a>	
	<a href="#">CX SRL10A-PS</a>	
15	<a href="#">CXSRM15-PS</a>	
	<a href="#">CX SRL15A-PS</a>	
20	<a href="#">CXSRM20-PS</a>	
	<a href="#">CX SRL20A-PS</a>	
25	<a href="#">CXSRM25-PS</a>	
	<a href="#">CX SRL25A-PS</a>	
32	<a href="#">CXSRM32-PS</a>	
	<a href="#">CX SRL32A-PS</a>	

\* Seal kits includes the basic type seal (page 149), ⑨ and ⑩. Order the seal kit, based on each bore size.

\* Since the seal kit does not include a grease pack, order it separately.

**Grease pack part no.:GR-S-010 (10 g)**

Actuators

Modular F.R.L.  
Pressure Control Equipment

Air Preparation  
Equipment

Industrial Filters

Replacement  
Procedure

Actuators

Modular F.R.L.  
Pressure Control Equipment

Industrial Filters