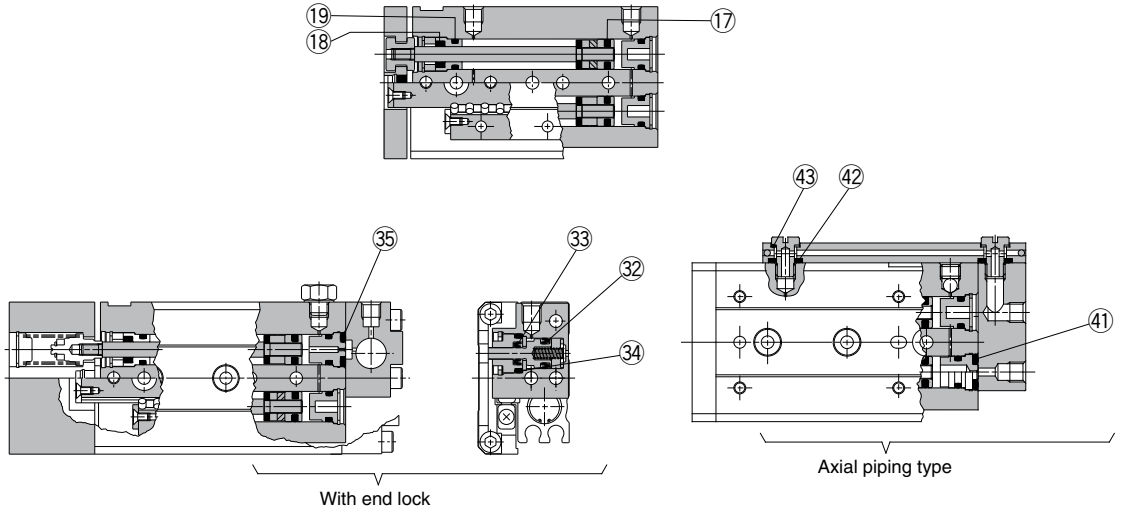


Series MXS

Replacement Procedure is P.319

Construction



* The numbers are the same as the "Construction" of the Best Pneumatics No.3 Series MXS.

Seal Kit List

No.	Description	Material	Note
17	Piston seal	NBR	
18	Rod seal		
19	O-ring		

With end lock

32	Piston seal	NBR	
33	Rod seal		
34	O-ring		
35	O-ring		

Axial piping type

41	O-ring	NBR	
42	O-ring	NBR	
43	Gasket		

* Seal kit includes 1 set of numbered seals in the table on the right. Order the appropriate seal kit depending on the cylinder bore size.

*[BLUE](#) links will lead to purchase pages.

Replacement Parts: Seal Kit

Bore size (mm)	Kit no.	Contents
6	MXS6-PS	Set of left nos. 17, 18, 19
8	MXS8-PS	
12	MXS12-PS	
16	MXS16-PS	
20	MXS20-PS	
25	MXS25-PS	

Replacement Parts: Seal Kit for with End Lock

Bore size (mm)	Kit no.	Contents
8	MXS8R-PS	Set of left nos. 17, 18, 19, 32, 33, 34, 35
12	MXS12R-PS	
16	MXS16R-PS	
20	MXS20R-PS	
25	MXS25R-PS	

Replacement Parts: Seal Kit for Axial Piping Type

Bore size (mm)	Kit no.	Contents
6	MXS6P-PS	Set of left nos. 17, 18, 19, 41, 42, 43
8	MXS8P-PS	
12	MXS12P-PS	
16	MXS16P-PS	
20	MXS20P-PS	
25	MXS25P-PS	

Replacement Parts: Grease Pack

Applied unit	Grease pack part no.
Guide unit	GR-S-010 (10 g) GR-S-020 (20 g)
Cylinder unit	GR-L-005 (5 g) GR-L-010 (10 g)