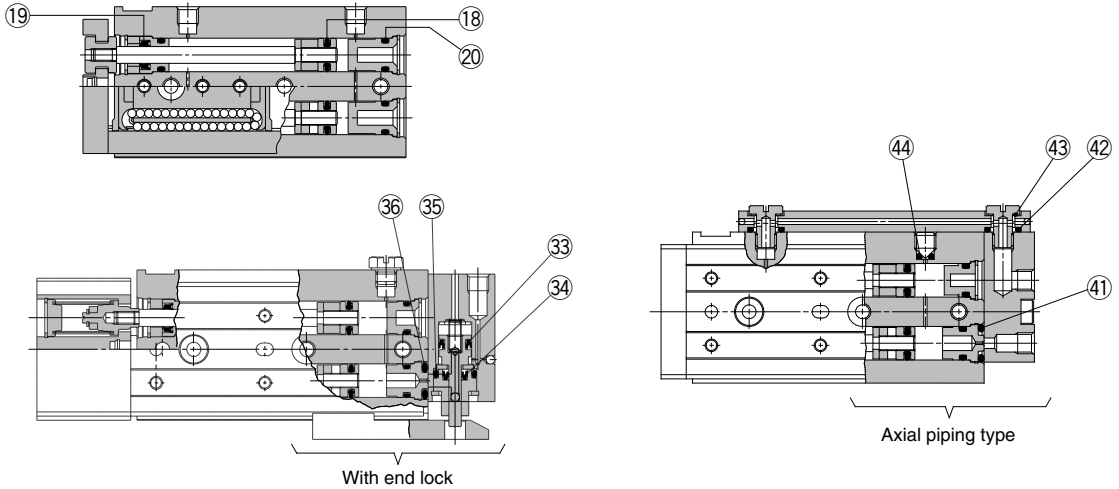


Series MXQ

ø6, ø8, ø12, ø16
ø20, ø25

Replacement
Procedure is
P.319

Construction



* The numbers are the same as the "Construction" of the Best Pneumatics No.3 Series MXQ.

*[BLUE](#) links will lead to purchase pages.

Seal Kit List

No.	Description	Material	Note
18	Piston seal	NBR	
19	Rod seal		
20	O-ring		

With end lock

33	Piston seal	NBR	
34	Rod seal		
35	O-ring		
36	O-ring		

Axial piping type

41	O-ring	NBR	
42	O-ring	NBR	
43	Gasket	NBR, Stainless steel	
44	O-ring	NBR	

* Seal kit includes these seals to provide as a set. Order the seal kit, based on each bore size.

Replacement Parts: Seal Kit

Bore size (mm)	Kit no.	Contents
6	MXQ6-PS	Set of left nos. 18, 19, 20
8	MXQ8-PS	
12	MXQ12-PS	
16	MXQ16-PS	
20	MXQ20-PS	
25	MXQ25-PS	

Replacement Parts: Seal Kit for with End Lock

Bore size (mm)	Kit no.	Contents
8	MXQ8R-PS	Set of left nos. 18, 19, 20, 33, 34, 35, 36
12	MXQ12R-PS	
16	MXQ16R-PS	
20	MXQ20R-PS	
25	MXQ25R-PS	

Replacement Parts: Seal Kit for Axial Piping Type

Bore size (mm)	Kit no.	Contents
6	MXQ6P-PS	Set of left nos. 18, 19, 20, 41, 42, 43, 44
8	MXQ8P-PS	
12	MXQ12P-PS	
16	MXQ16P-PS	Set of left nos. 18, 19, 20, 41, 42, 43
20	MXQ20P-PS	
25	MXQ25P-PS	

Replacement Parts: Grease Pack

Applied section	Grease pack part no.
Guide	GR-S-010 (10 g)
	GR-S-020 (20 g)
Cylinder	GR-L-005 (5 g)
	GR-L-010 (10 g)