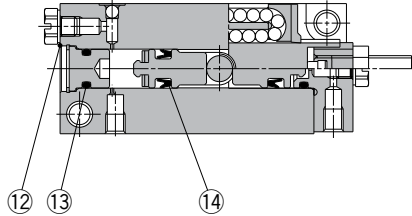


Series MXP ø6



Construction

MXP6



* The numbers are the same as the "Construction" of the Best Pneumatics No.3 Series MXP.

Seal Kit List

No.	Description	Material	Note
⑫	Gasket (for plug)	PVC	
⑬	O-ring	NBR	
⑭	Piston seal		

*[BLUE](#) links will lead to purchase pages.

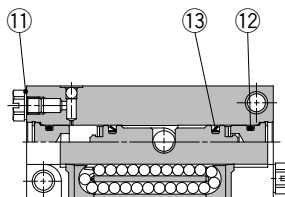
Replacement Parts: Seal Kit

Bore size (mm)	Kit no.	Contents
6	MXP6-PS	A set of two of ⑫, ⑬ and ⑭ each

Replacement Parts: Grease Pack

Applied unit	Grease pack part no.
Guide unit	GR-S-010 (10 g)
	GR-S-020 (20 g)
Cylinder unit	GR-L-005 (5 g)
	GR-L-010 (10 g)

MXPJ6



* The numbers are the same as the "Construction" of the Best Pneumatics No.3 Series MXP.

Seal Kit List

No.	Description	Material	Note
⑪	Gasket (for plug)	PVC	
⑫	O-ring	NBR	
⑬	Piston seal		

Replacement Parts: Seal Kit

Bore size (mm)	Kit no.	Contents
6	MXPJ6-PS	2 pieces of no. ⑪, ⑫ and ⑬

Replacement Parts: Grease Pack

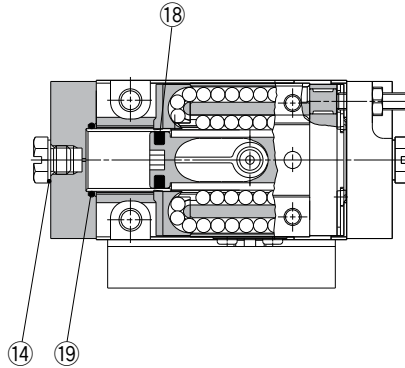
Applied unit	Grease pack part no.
Guide unit	GR-S-010 (10 g)
	GR-S-020 (20 g)
Cylinder unit	GR-L-005 (5 g)
	GR-L-010 (10 g)

Series MXP

ø8, ø10, ø12, ø16



Construction



* The numbers are the same as the "Construction" of the Best Pneumatics No.3 Series MXP.

*[BLUE](#) links will lead to purchase pages.

Seal Kit List

No.	Description	Material	Note
14	Gasket (for plug)	NBR, stainless steel	
18	Piston seal	NBR	
19	O-ring		

Replacement Parts: Seal Kit

Bore size (mm)	Kit no.	Contents
8	MXP8-PS	A set of two of 14, 18 and 19 each
10	MXP10-PS	
12	MXP12-PS	
16	MXP16-PS	

Replacement Parts: Grease Pack

Applied unit	Grease pack part no.
Guide unit	GR-S-010 (10 g)
	GR-S-020 (20 g)
Cylinder unit	GR-L-005 (5 g)
	GR-L-010 (10 g)

Actuators

Modular F.R.L.
Pressure Control Equipment

Air Preparation
Equipment

Industrial Filters

Replacement
Procedure

Actuators

Modular F.R.L.
Pressure Control Equipment

Industrial Filters