



Speed Controller Standard Type

Series AS

Threaded Elbow Type (Metal Body Version)

Minimizes installation time and cost

Body swivels 360°

Swivel type allows free setting of piping.

Speed can be accurately controlled even at low speeds.

Constant speed control is possible.

Retainer prevents accidental loss of needle.



JIS Symbol



How to Order

N AS 2 2 0 0 — 01 S

Area Code

Nil	Japan, Asia, Australia, UK
N	U.S.A.

Body size

1	M3, M5
2	1/8, 1/4
3	3/8
4	1/2

Type

2	Direct connection elbow
4	Direct connection flat elbow

Controlled method

0	Meter-out
1	Meter-in

Port Thread

Symbol	Port Thread	
	Cylinder side	Tubing side
Nil	R	Rc
	Metric thread (M3, M5)	
	Unified thread (10-32UNF)	
N	NPT	

Option

Nil	None
S	Sealant
K	Hexagonal lock nut
N	Electroless nickel plated

*Indicate symbols in alphabetical order if two options or more desired.

Port size

Symbol	Port size	Model
M3	M3 x 0.5	AS1200-M3 AS1400-M3
M5	M5 x 0.8	AS12□0-M5
U10/32	10-32UNF	AS12□0-U10/32
01	R1/8	AS22□0-01
02	R1/4	AS22□0-02
03	R3/8	AS32□0-03
04	R1/2	AS42□0-04

Specifications

Specifications	Model	AS1200-M3	AS1400-M3	AS12□0-M5	AS12□0-U10/32	AS22□0-01	AS22□0-02	AS32□0-03	AS42□0-04
Port size		M3 x 0.5	M5 x 0.8	10-32UNF	1/8	1/4	3/8	1/2	
Applicable cylinder bore size (mm)		2.5, 4, 6	6, 10, 15, 20, 25	20, 25, 32, 40	32, 40, 50, 63	80, 100			
Proof pressure		1.05MPa		1.5MPa					
Maximum operating pressure		0.7MPa		1MPa					
Minimum operating pressure		0.1MPa		0.1MPa					
Ambient and fluid temperature		-5° to 60°C (No freezing)							
Number of needle rotations		10 turns		8 turns		10 turns			
Option		—				Sealant, Hexagonal lock nut, Nickel plated			
Weight (g)		3	6	10	29	64	106	181	
Controlled flow (Free flow)	Air flow [ℓ/min (ANR)]	20		105	230	460	920	1700	
	Effective area (mm ²)	0.3		1.6	3.5	7	14	26	

Note 1) Supply pressure: 0.5MPa. Temperature: 20°C.

Note 2) Meter-in type not available on AS1200-M3, AS1400-M3

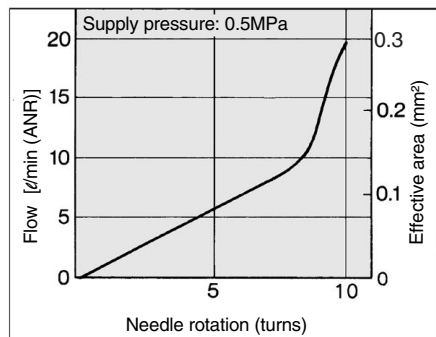
Note 3) Distinction between meter-out/meter-in types by appearance.

They are distinguished by the lock nut. The meter-out types is electroless nickel plated, while the meter-in type is black zinc chromate plated.

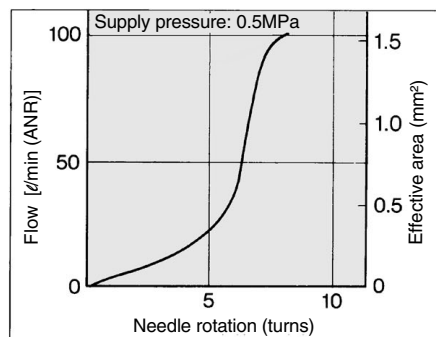
Note 4) AS1200, AS1400, AS22□0: Electroless nickel plated (N specification).

Flow Characteristics

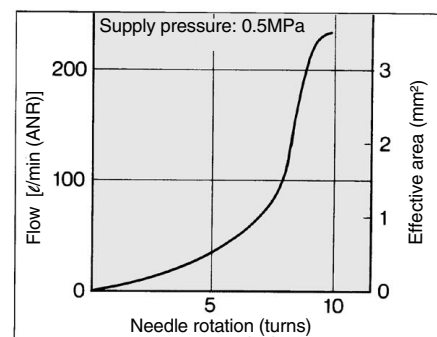
AS1200-M3, AS1400-M3



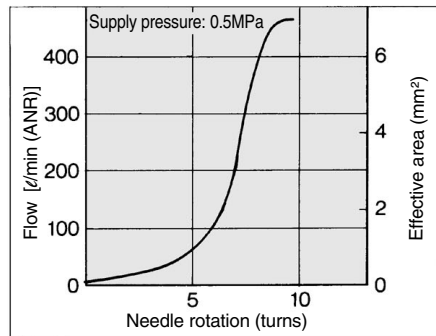
AS12□0-M5, AS12□0-U10/32



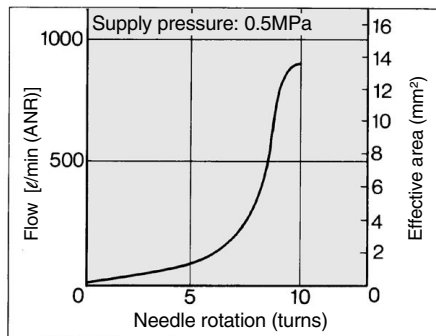
AS22□0-01



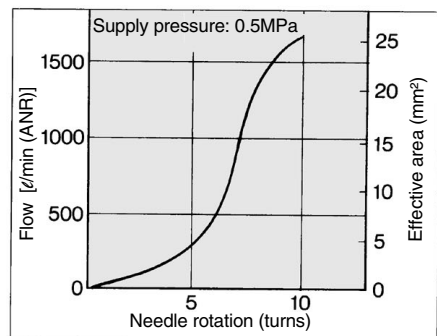
AS22□0-02



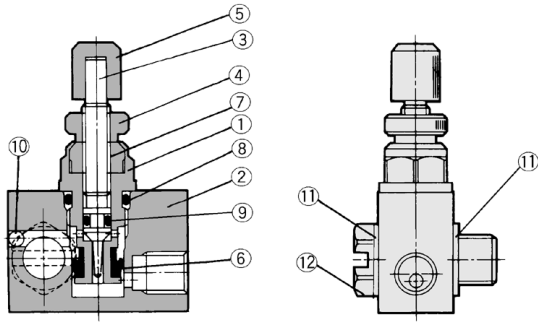
AS32□0



AS42□0



AS1400-M3/Construction



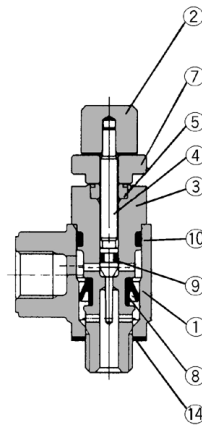
Component Parts

No.	Description	Material	Note
①	Body B	Brass	Electroless nickel plated
②	Body A	Brass	Electroless nickel plated
③	Needle	Brass	Electroless nickel plated
④	Lock nut	Brass	Electroless nickel plated
⑤	Handle	Brass	Electroless nickel plated
⑥	U-packing	NBR	
⑦	Needle guide	Brass	Electroless nickel plated
⑧	O-ring	NBR	
⑨	O-ring	NBR	
⑩	Steel ball	Chromium bearing steel	
⑪	Gasket	PVC	
⑫	Joint	Brass	Electroless nickel plated

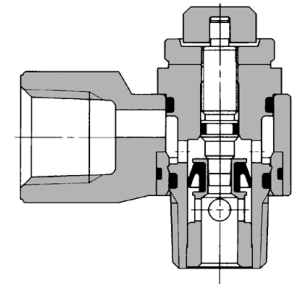
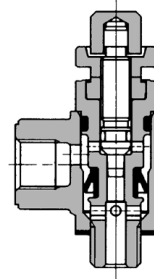
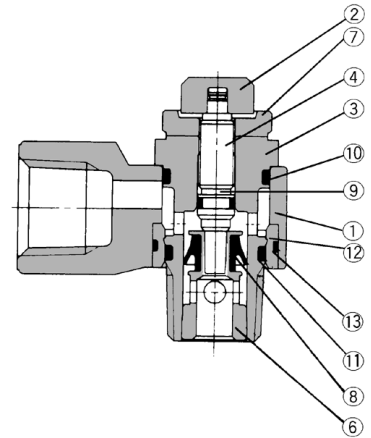
AS1200-M3, AS12□0-M5, AS22□0/32□0/42□0/Construction

Meter-out

AS1200-M3, M5, U10/32

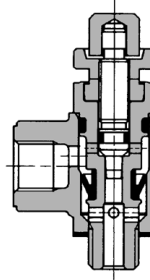


AS2200/3200/4200

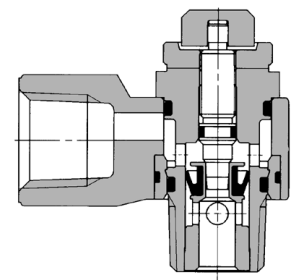


Meter-in

AS1210-M5, U10/32



AS2210/3210/4210



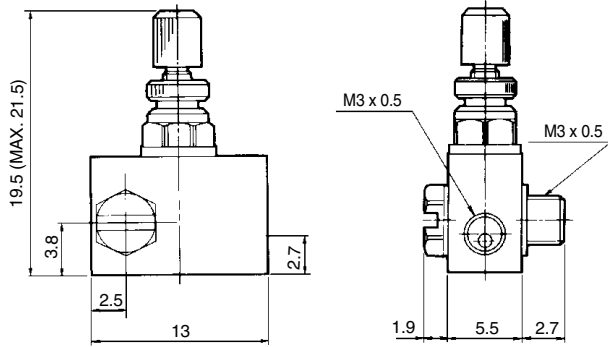
Component Parts

No.	Description	Material	Note
①	Body A	Zinc alloy	
②	Handle	Brass	Electroless nickel plated
③	Body B	Brass	Electroless nickel plated
④	Needle	Brass	Electroless nickel plated
⑤	Needle guide	Brass	Electroless nickel plated
⑥	Seat ring	Brass	
⑦	Lock nut	Brass ^{Note 1)}	Electroless nickel plated ^{Note 2)}
⑧	U-packing	NBR	
⑨	O-ring	NBR	
⑩	O-ring	NBR	
⑪	O-ring	NBR	
⑫	Bush	PBT	01 to 04 type
⑬	O-ring	NBR	01 to 04 type
⑭	Gasket	PVC	M3 type
		NBR, Stainless steel	M5, U10/32 types

Note 1) AS22□0: Steel

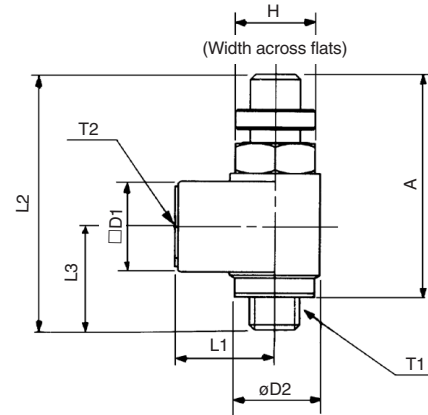
Note 2) Meter-in type: Black zinc chromated

AS1400-M3/Dimensions

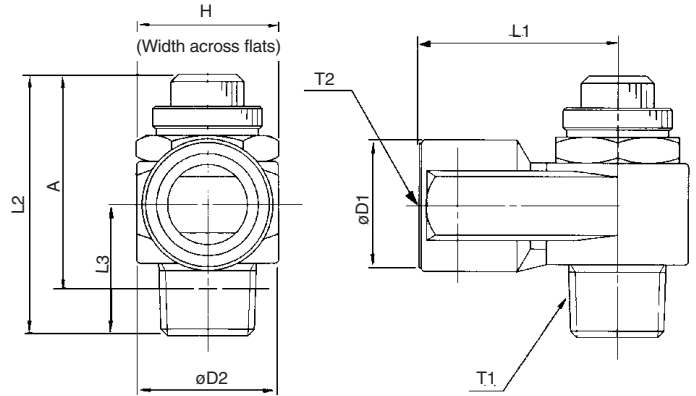


AS-1200-M3, AS12□0-M5, AS22□0, 32□0, 42□0/Dimensions

**AS1200-M3
AS12□0-M5**



AS22□0/32□0/42□0



Dimensions

Model	T1	T2	H ^{Note 1)}	L1	L2		L3	D1	D2	A	
					Max.	Min.				Max.	Min.
AS1200-M3	M3 x 0.5	M3 x 0.5	4.5	6.6	23.5	21.5	8	5	5	20.5	18.5
AS1200-M5	M5 x 0.8	M5 x 0.8	8	10	28.3	25.5	10.3	9	9	25	22.2
AS1200-U10/32	10-32UNF	10-32UNF									
AS22□0-01	1/8	1/8	12(12.7)	18	36.4	31.4	14.1	14.3	14.6	32.4	27.4
AS22□0-02	1/4	1/4	17(17.5)	27.2	40.8	35.8	18	18	19.5	34.8	29.8
AS32□0-03	3/8	3/8	19	30	46.9	41.9	20.8	22.5	24.3	40.6	35.6
AS42□0-04	1/2	1/2	24(23.8)	38.5	55.6	50.6	26.7	27.5	28.5	47.4	42.4

Note 1) () are the dimensions of "NPT" thread.