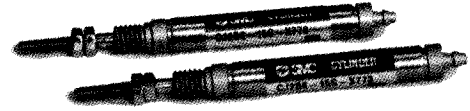


Made to Order

Reduced Profile Miniature Air Cylinder

CJ2B6-X773

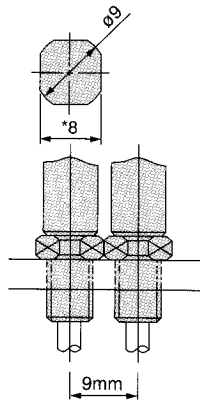
ø6



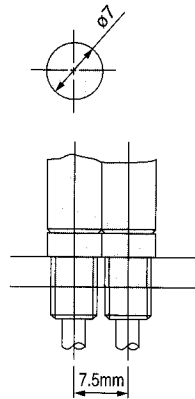
Cylinder mounting space is reduced when the cylinders are mounted in parallel.

■ Rod cover and head cover outside diameter: ø7

■ Overall length is shortened with the head cover integrated with a barb fitting.



<Standard>



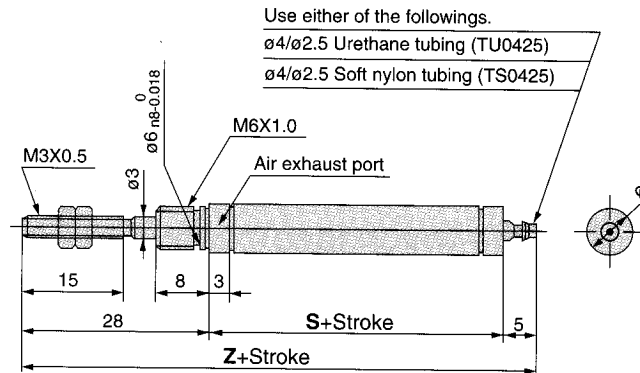
<Reduced profile mounting type>

Note) Direct mounting with the cylinder mounting threads.

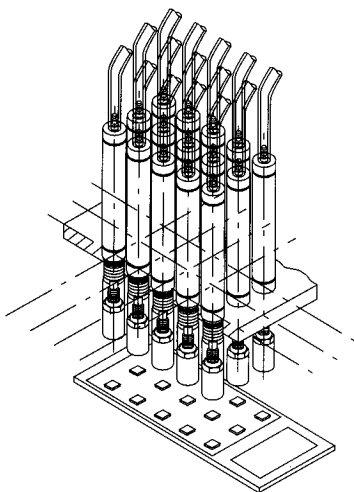
Specifications

Model	CJ2B6-*SU4-X773
Bore size (mm)	ø6
Action	Single acting, Spring return type
Operating pressure range	0.2 to 0.7 MPa {2.0 to 7.1 kgf/cm ² }
Port size	With ø4 barb fitting for soft nylon
Port position	Head cover/axial direction
Stroke	5 to 60 mm
Auto switch	None

Dimensions



Application Example



Confirmation of operation for push buttons of portable telephone, etc.

	(mm)			
Stroke	5 to 15	16 to 30	31 to 45	46 to 60
S	30.5	39.5	43.5	57.5
Z	63.5	72.5	76.5	90.5

Note) When mounting the cylinder;

1. Do not plug the air exhaust port of rod cover.
2. Apply adhesive material to the mounting thread portion to prevent the cylinder to be loose, and then hold the rod cover with pliers, etc.