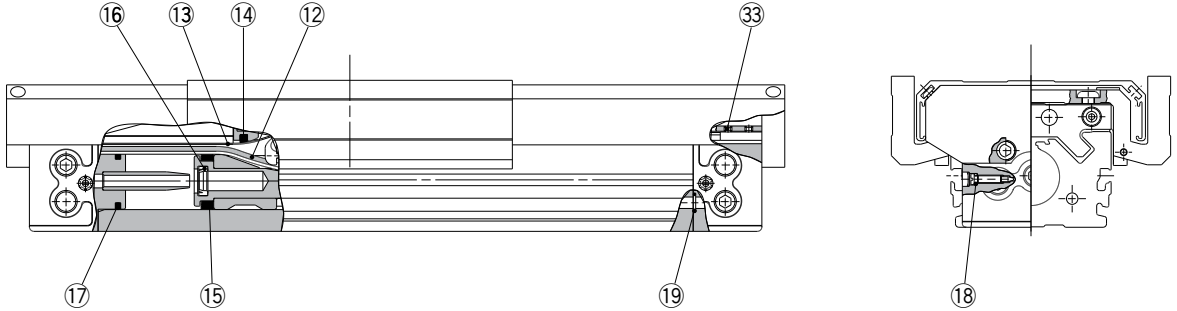


# Series MY1□W

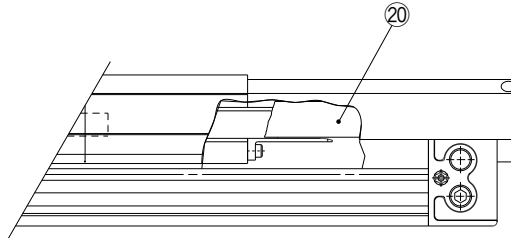
ø16, ø20, ø25  
ø32, ø40, ø50  
ø63

Replacement  
Procedure is  
P.306

## Construction



### With side seal



\*[BLUE](#) links will lead to purchase pages.

\* The numbers are the same as the "Construction" of the Best Pneumatics No.2 Series MY1□W.

\*Call or email us at [sales@smcpneumatics.com](mailto:sales@smcpneumatics.com) for request.

### Seal Kit List (12, 13, 18 and 20 are not included in the seal kit. Order them as required with by individual part numbers.)

No.	Description	Qty.	ø16	ø20	ø25	ø32	ø40	ø50	ø63
12	Seal belt	1	MY16-16A-Stroke	MY20-16A-Stroke	MY25-16A-Stroke	MY32-16A-Stroke	MY40-16A-Stroke	MY50-16A-Stroke	MY63-16A-Stroke
13	Dust seal band <sup>(Note)</sup>	1	MY16-16B-Stroke	MY20-16B-Stroke	MY25-16B-Stroke	MY32-16B-Stroke	MY40-16B-Stroke	MY50-16B-Stroke	MY63-16B-Stroke
18	O-ring	2	KA00309 (ø4 x ø1.8 x ø1.1)	KA00311 (ø5.1 x ø3 x ø1.05)	KA00311 (ø5.1 x ø3 x ø1.05)	KA00320 (ø7.15 x ø3.75 x ø1.7)	KA00402 (ø8.3 x ø4.5 x ø1.9)	KA00777	KA00777
20	Side seal assembly	2	MYMK-16-Stroke	MYMK-20-Stroke	MYMK-25-Stroke	MYMK-32-Stroke	MYMK-40-Stroke		
14	Scraper	2							
15	Piston seal	2							
16	Cushion seal	2	<a href="#">MY1M16-PS</a>	<a href="#">MY1M20-PS</a>	<a href="#">MY1M25-PS</a>	<a href="#">MY1M32-PS</a>	<a href="#">MY1M40-PS</a>	<a href="#">MY1M50-PS</a>	<a href="#">MY1M63-PS</a>
17	Tube gasket	2							
19	O-ring	4							

Note) Two kinds of dust seal bands are available. Verify the type to use, since the part number varies depending on the treatment of the hexagon socket head set screw 33 (Refer to the Construction of MY1M.).

A Black zinc chromated → MY□□-16B-Stroke B Nickel plated → MY□□-16BW-Stroke

\* Seal kit includes 14, 15, 16, 17 and 19. Order the seal kit based on each bore size.

\* Seal kit includes a grease pack (10 g).

When 12 and 13 are shipped as single units, a grease pack (10 g per 1000 strokes) is included.

Order with the following part number when only the grease pack is needed.

Grease pack part no.: GR-S-010 (10 g), GR-S-020 (20 g)