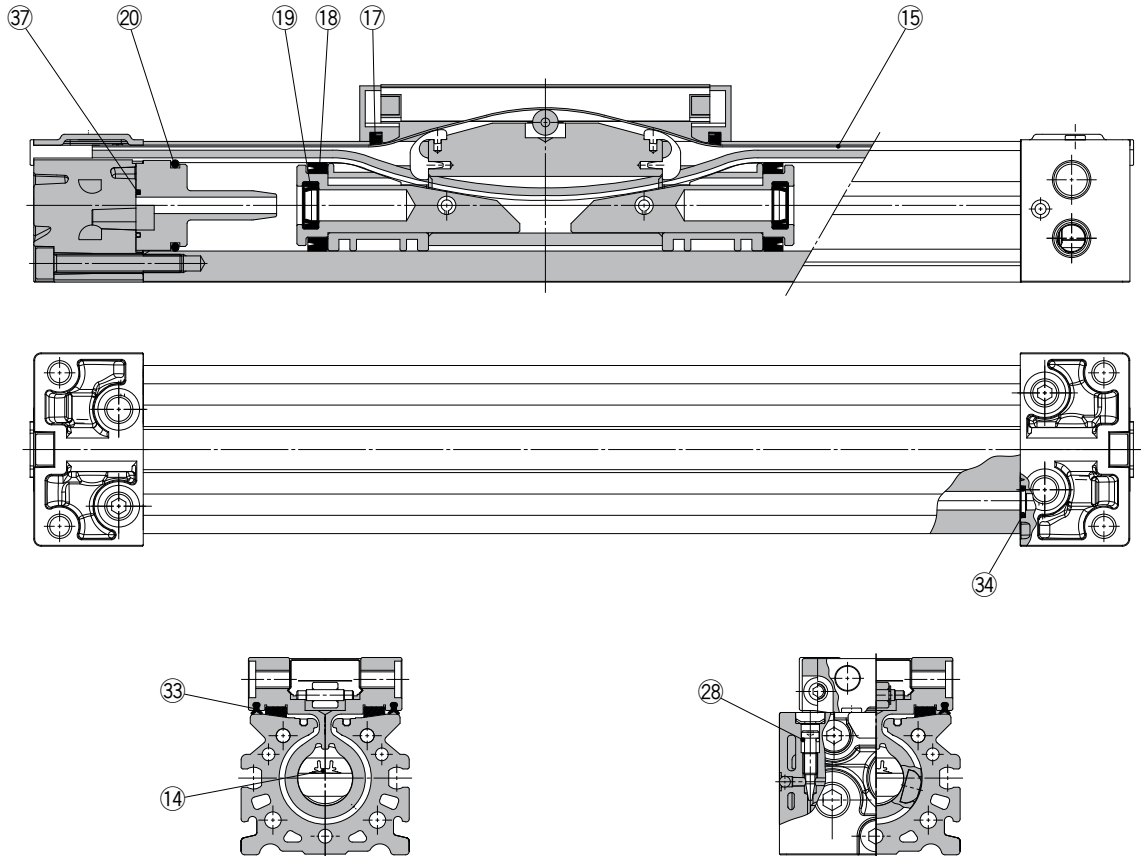


Mechanically Jointed Rodless Cylinder/Basic Type

Series MY1B-□Z

ø25, ø32, ø40

Construction



*[BLUE](#) links will lead to purchase pages.
Call or email us at sales@smcpneumatics.com for request.

* The numbers are the same as the "Construction" of the MY1B series catalog (CAT.ES20-210).

Seal Kit List

No.	Description	Material	Qty.	MY1B25	MY1B32	MY1B40	Note
14	Seal belt	Urethane Polyamide	1	MY25-16C-Stroke	MY32-16C-Stroke	MY40-16A-Stroke	14, 15, 28, 33 and 37 are not included in the seal kit. Order them as required with by individual part numbers.
15	Dust seal band	Stainless steel	1	MY1B25-16B-Stroke	MY1B32-16B-Stroke	MY1B40-16B-Stroke	
28	O-ring	NBR	2	KA00311 (ø5.1 x ø3 x ø1.05)	KA00320 (ø7.15 x ø3.75 x ø1.7)	KA00320 (ø7.15 x ø3.75 x ø1.7)	
33	Side scraper	Polyamide	2	MYB25-15BA5900B	MYB32-15BA5901B	MYB40-15BA5902B	
37	Cushion boss gasket	NBR	2	MYB25-16GA5900	MYB32-16GA5901	MYB40-16GA5902	
17	Scraper	NBR	2	MY1B25-PS	MY1B32-PS	MY1B40-PS	
18	Piston seal	NBR	2				
19	Cushion seal	NBR	2				
20	Tube gasket	NBR	2				
34	O-ring	NBR	2				

* Seal kit includes 17, 18, 19, 20 and 34. Order the seal kit based on each bore size.

* Seal kit includes a grease pack (10 g).

When 14 and 15 are shipped independently, a grease pack is included. (10 g/1000 mm stroke)
Order with the following part number when only the grease pack is needed.

Grease pack part no.: GR-S-010 (10 g), GR-S-020 (20 g)

Note) For the replacement procedure of replacement parts/seals, refer to the Operation Manual.