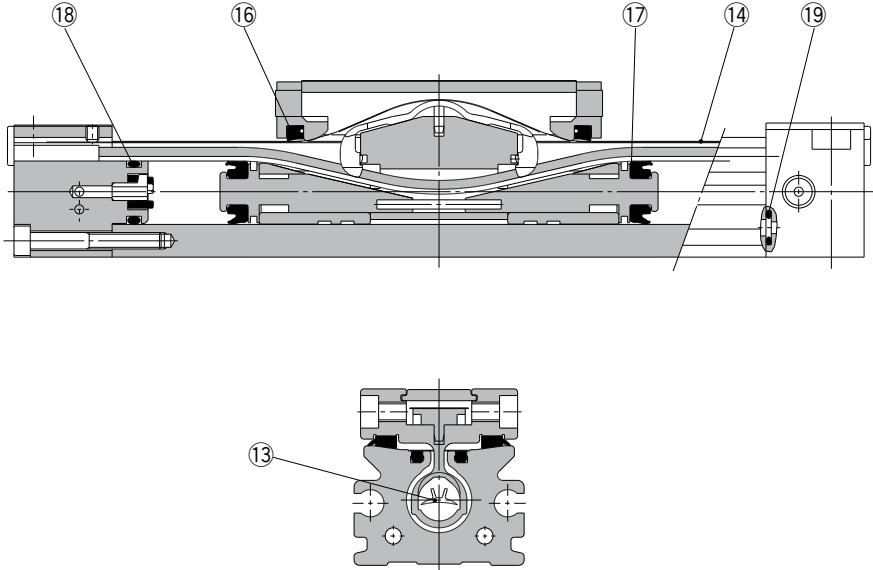


# Series MY1B $\phi 10$

Replacement  
Procedure is  
P.304

## Construction

Centralized piping type:  $\phi 10$



\* The numbers are the same as the "Construction" of the Best Pneumatics No.2 Series MY1B.

\*[BLUE links will lead to purchase pages.](#)  
Call or email us at [sales@smcpneumatics.com](mailto:sales@smcpneumatics.com) for request.

### Replacement Parts: Seal Kit

No.	Description	Qty.	MY1B10	Note
13	Seal belt	1	MY10-16A- <a href="#">Stroke</a>	13 and 14 are not included in the seal kit. Order them as required with by individual part numbers.
14	Dust seal band	1	MY10-16B- <a href="#">Stroke</a>	
16	Scraper	2	<a href="#">MY1B10-PS</a>	
17	Piston seal	2		
18	Tube gasket	2		
19	O-ring	4		

\* Seal kit includes 16, 17, 18 and 19.

Seal kit includes a grease pack (10 g).

When 13 and 14 are shipped independently, a grease pack is included. (10 g per 1000 strokes)

Order with the following part number when only the grease pack is needed.

Grease pack part no.: GR-S-010 (10 g), GR-S-020 (20 g)

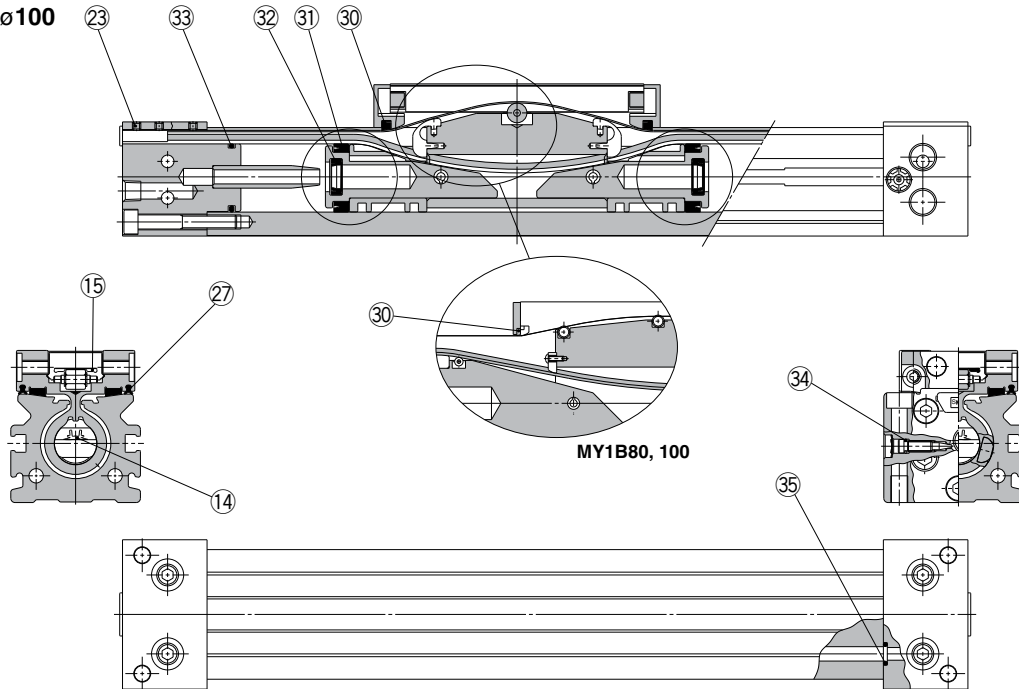
# Series MY1B

ø16, ø20, ø25, ø32  
ø40, ø50, ø63, ø80  
ø100

Replacement  
Procedure is  
P.304

## Construction

ø16 to ø100



\*BLUE links will lead to purchase pages.

Call or email us at [sales@smcpneumatics.com](mailto:sales@smcpneumatics.com) for request.

\* The numbers are the same as the "Construction" of the Best Pneumatics No.2 Series MY1B.

## Replacement Parts: Seal Kit

No.	Description	Qty.	MY1B16	MY1B20	MY1B25	MY1B32	MY1B40
14	Seal belt	1	<a href="#">MY16-16A-Stroke</a>	<a href="#">MY20-16A-Stroke</a>	<a href="#">MY25-16A-Stroke</a>	<a href="#">MY32-16A-Stroke</a>	<a href="#">MY40-16A-Stroke</a>
15	Dust seal band	1	<a href="#">MY16-16B-Stroke</a>	<a href="#">MY20-16B-Stroke</a>	<a href="#">MY25-16B-Stroke</a>	<a href="#">MY32-16B-Stroke</a>	<a href="#">MY40-16B-Stroke</a>
27	Side scraper	2	—	<a href="#">MYB20-15CA7164B</a>	<a href="#">MYB25-15BA5900B</a>	<a href="#">MYB32-15BA5901B</a>	<a href="#">MYB40-15BA5902B</a>
34	O-ring	2	<a href="#">KA00309</a> (ø4 x ø1.8 x ø1.1)	<a href="#">KA00309</a> (ø4 x ø1.8 x ø1.1)	<a href="#">KA00311</a> (ø5.1 x ø3 x ø1.05)	<a href="#">KA00320</a> (ø7.15 x ø3.75 x ø1.7)	<a href="#">KA00320</a> (ø7.15 x ø3.75 x ø1.7)
30	Scraper	2					
31	Piston seal	2	<a href="#">MY1B16-PS</a>	<a href="#">MY1B20-PS</a>	<a href="#">MY1B25-PS</a>	<a href="#">MY1B32-PS</a>	<a href="#">MY1B40-PS</a>
32	Cushion seal	2					
33	Tube gasket	2					
35	O-ring	4					

No.	Description	Qty.	MY1B50	MY1B63	MY1B80	MY1B100	Note
14	Seal belt	1	<a href="#">MY50-16A-Stroke</a>	<a href="#">MY63-16A-Stroke</a>	<a href="#">MY80-16A-Stroke</a>	<a href="#">MY100-16A-Stroke</a>	14, 15, 27 and 34 are not included in the seal kit. Order them as required with by individual part numbers.
15	Dust seal band	1	<a href="#">MY50-16B-Stroke</a>	<a href="#">MY63-16B-Stroke</a>	<a href="#">MY80-16B-Stroke</a>	<a href="#">MY100-16B-Stroke</a>	
27	Side scraper	2	<a href="#">MYB50-15CA7165B</a>	<a href="#">MYB63-15CA7166B</a>	<a href="#">MYB80-15CK2470B</a>	<a href="#">MY100-15CK2471B</a>	
34	O-ring	2	<a href="#">KA00402</a> (ø8.3 x ø4.5 x ø1.9)	<a href="#">KA00777</a> —	<a href="#">KA00050</a> —	<a href="#">KA00050</a> —	
30	Scraper	2					
31	Piston seal	2	<a href="#">MY1B50-PS</a>	<a href="#">MY1B63-PS</a>	<a href="#">MY1B80-PS</a>	<a href="#">MY1B100-PS</a>	
32	Cushion seal	2					
33	Tube gasket	2					
35	O-ring	4					

\* Seal kit includes 30, 31, 32, 33 and 35. Order the seal kit based on each bore size.

\* Seal kit includes a grease pack (10 g).

When 14 and 15 are shipped independently, a grease pack is included. (10 g per 1000 strokes)

Order with the following part number when only the grease pack is needed.

Grease pack part no.: GR-S-010 (10 g), GR-S-020 (20 g)

Note) Two kinds of dust seal bands are available. Verify the type to use, since the part number varies depending on the treatment of the hexagon socket head set screw 23.

A: Black zinc chromated → MY□□-16B-stroke, B: Nickel plated → MY□□-16BW-stroke