

Series CY3R

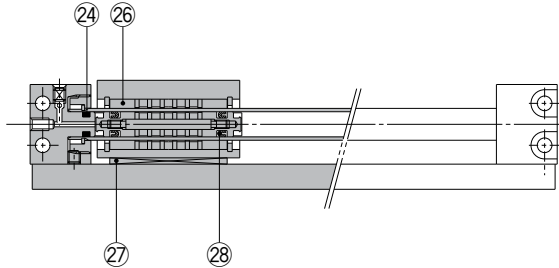
ø6, ø10, ø15, ø20
ø25, ø32, ø40, ø50
ø63

Replacement
Procedure is
p.316

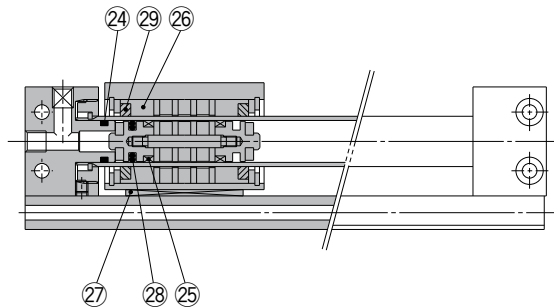
Construction

Both sides piping type

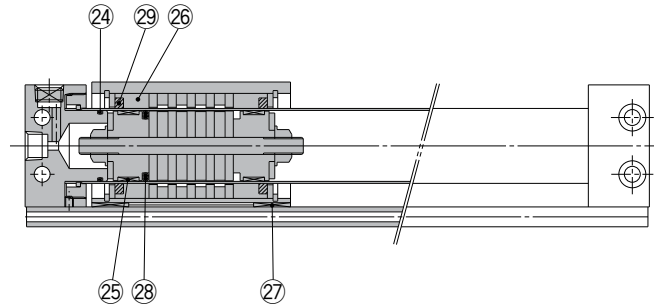
CY3R6



CY3R10



CY3R15 to 63



* The numbers are the same as the "Construction" of the Best Pneumatics No.2 Series CY3R.
*[BLUE](#) links will lead to purchase pages.

Seal Kit List

No.	Description	Material	Note
24	Cylinder tube gasket	NBR	
25	Wear ring A	Special resin	ø6, ø10: Not available
26	Wear ring B	Special resin	
27	Wear ring C	Special resin	
28	Piston seal	NBR	
29	Lubretainer	Special resin	ø6: Not available
30	Switch rail gasket	NBR	Both sides piping type: None

* Seal kit includes a grease pack (ø6, ø10: 5 and 10 g, ø15 to ø63: 10 g).
Order with the following part number when only the grease pack is needed.

Grease pack part no. for ø6, ø10: **GR-F-005** (5 g) for external sliding sections
GR-S-010 (10 g) for tubing interior

Grease pack part no. for ø15 to ø63: **GR-S-010** (10 g)

Replacement Parts/Seal Kit

Bore size (mm)	Kit no.	Contents
6	CY3R6-PS	Set of left nos. 24, 26, 27, 28
10	CY3R10-PS	Set of left nos. 24, 26, 27, 28, 29, 30
15	CY3R15-PS	Set of left nos. 24, 25, 26, 27, 28, 29, 30
20	CY3R20-PS	
25	CY3R25-PS	
32	CY3R32-PS	
40	CY3R40-PS	
50	CY3R50-PS	
63	CY3R63-PS	

Note 1) Seal kits are the same for both the both sides piping type and the centralized piping type.

Note 2) Seal kits are sets consisting of numbers 24 through 30. Order using the kit number corresponding to each bore size.

Note 3) For wear ring A of ø10, please consult with SMC.

Series CY3R

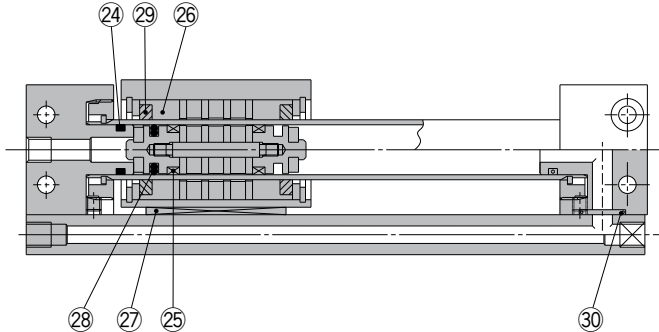
ø6, ø10, ø15, ø20
ø25, ø32, ø40, ø50
ø63

Replacement
Procedure is
P.316

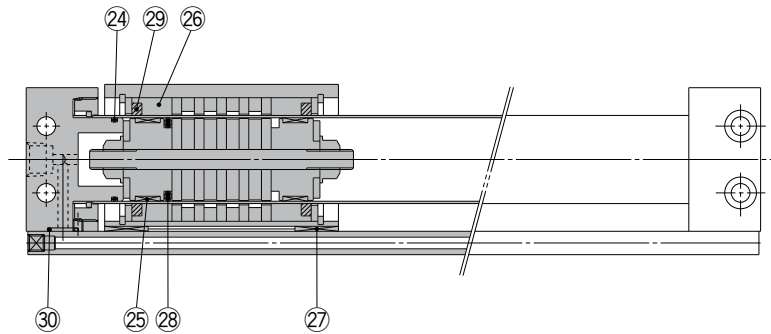
Construction

Centralized piping type

CY3RG10



CY3RG15 to 63



* The numbers are the same as the "Construction" of the Best Pneumatics No.2 Series CY3R.
*[BLUE](#) links will lead to purchase pages.

Seal Kit List

No.	Description	Material	Note
24	Cylinder tube gasket	NBR	
25	Wear ring A	Special resin	ø6, ø10: Not available
26	Wear ring B	Special resin	
27	Wear ring C	Special resin	
28	Piston seal	NBR	
29	Lubretainer	Special resin	ø6: Not available
30	Switch rail gasket	NBR	Both sides piping type: None

Replacement Parts: Seal Kit

Bore size (mm)	Kit no.	Contents
10	CY3R10-PS	Set of left nos. 24, 26, 27, 28, 29, 30
15	CY3R15-PS	Set of left nos. 24, 25, 26, 27, 28, 29, 30
20	CY3R20-PS	
25	CY3R25-PS	
32	CY3R32-PS	
40	CY3R40-PS	
50	CY3R50-PS	
63	CY3R63-PS	

Note 1) Seal kits are the same for both the both sides piping type and the centralized piping type.

Note 2) Seal kits are sets consisting of numbers 24 through 30. Order using the kit number corresponding to each bore size.

Note 3) For wear ring A of ø10, please consult with SMC.

* Seal kit includes a grease pack (ø6, ø10: 5 and 10 g, ø15 to ø63: 10 g). Order with the following part number when only the grease pack is needed.

Grease pack part no. for ø6, ø10: GR-F-005 (5 g) for external sliding sections
GR-S-010 (10 g) for tubing interior

Grease pack part no. for ø15 to ø63: GR-S-010 (10 g)