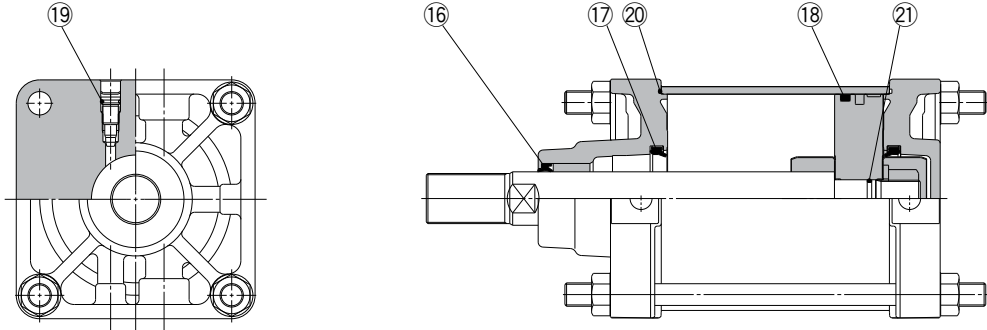


Construction

* The numbers are the same as the "Construction" of the Best Pneumatics No.3 Series CS2Y.

*[BLUE](#) links will lead to purchase pages.

Seal Kit List

No.	Description	Material	Note
16	Rod seal	NBR	19 and 21 are non-replaceable parts, so they are not included in the seal kit.
17	Cushion seal *	Urethane	
18	Piston seal	NBR	
19	Valve seal	NBR	
20	Tube gasket	NBR	
21	Piston gasket	NBR	

* Used with cushion only.

Replacement Parts: Seal Kit

Bore size (mm)	Kit no.	Contents
125	CS2Y125A-PS	Without cushion
140	CS2Y140A-PS	Consists of component part numbers 16, 18, and 20.
160	CS2Y160A-PS	
125	CS2Y125AA-PS	With single-side cushion
140	CS2Y140AA-PS	Consists of component part numbers 16, 17 (two), 18, and 20.
160	CS2Y160AA-PS	
125	CS2Y125AR-PS	With single-side cushion
140	CS2Y140AR-PS	Consists of component part numbers 16, 17 (one), 18 and 20.
160	CS2Y160AR-PS	

* Seal kit does not include a grease pack.

Order with the following part number when only the grease pack is needed.

Grease pack part no.: GR-L-005 (5 g), GR-S-010 (10 g), GR-L-150 (150g)