

# Air Cylinder/Double Rod Type

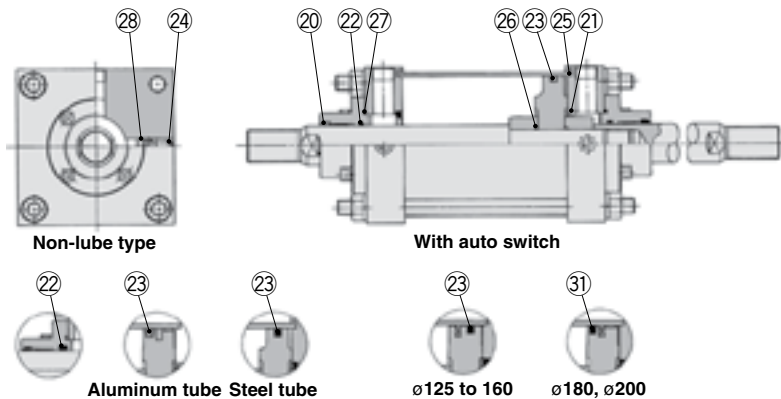
# Series CS1W

**Lube, Non-lube Type:**  
 $\phi 125$ ,  $\phi 140$ ,  $\phi 160$ ,  $\phi 180$   
 $\phi 200$ ,  $\phi 250$ ,  $\phi 300$   
**Air-hydro Type:**  
 $\phi 125$ ,  $\phi 140$ ,  $\phi 160$

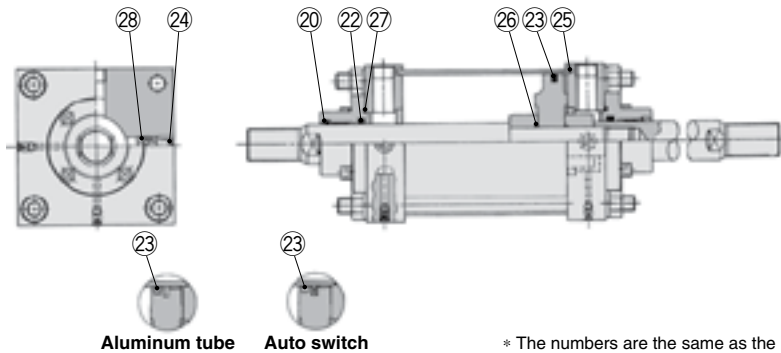


## Construction

**Lube, non-lube with auto switch**



**Air-hydro**



\* The numbers are the same as the "Construction" of the Best Pneumatics No.2 Series CS1.

\*[BLUE links will lead to purchase pages.](#)

## Seal Kit List

No.	Description	Material	Note
20	Wiper ring	NBR	21, 26 and 28 are non-replaceable parts, so they are not included in the seal kit.
21	Cushion seal		
22	Rod seal		
23	Piston seal		
31	Valve seal		
24	Tube gasket		
25	Piston gasket		
26	Piston gasket		
27	Retaining plate gasket		
28	Guide gasket		

## Replacement Parts: Seal Kit

Bore size (mm)	Kit no.	Contents
<b>Lube</b>		
125	<a href="#">CS1W-125A-PS</a>	Component part numbers: 20, 22, 23, 24, 25, 27.
140	<a href="#">CS1W-140A-PS</a>	
160	<a href="#">CS1W-160A-PS</a>	
180	<a href="#">CS1W-180A-PS</a>	
200	<a href="#">CS1W-200A-PS</a>	
250	<a href="#">CS1W-250A-PS</a>	
300	<a href="#">CS1W-300A-PS</a>	

\* Seal kit includes a grease pack ( $\phi 125$  to  $160$ : 40 g,  $\phi 180$  and  $200$ : 50 g,  $\phi 250$  and  $300$ : 60 g). Order with the following part number when only the grease pack is needed.

Grease pack part no.: GR-S-010 (10 g), GR-S-020 (20 g)

## Replacement Parts: Seal Kit

Bore size (mm)	Kit no.	Contents
<b>Non-lube with auto switch</b>		
125	<a href="#">CS1WN125A-PS</a>	Component part numbers: 20, 22, 23, 24, 25, 27.
140	<a href="#">CS1WN140A-PS</a>	
160	<a href="#">CS1WN160A-PS</a>	
180	<a href="#">CS1WN180A-PS</a>	
200	<a href="#">CS1WN200A-PS</a>	
250 <sup>(note)</sup>	<a href="#">CS1WN250A-PS</a>	
300 <sup>(note)</sup>	<a href="#">CS1WN300A-PS</a>	
<b>Lube with auto switch</b>		
125	<a href="#">CS1W125A-PS</a>	Component part numbers: 20, 22, 24, 25, 27, 31.
140	<a href="#">CS1W140A-PS</a>	
160	<a href="#">CS1W160A-PS</a>	
180	<a href="#">CS1W180A-PS</a>	
200	<a href="#">CS1W200A-PS</a>	

(note) It is not available with auto switch.

\* Seal kit includes a grease pack ( $\phi 125$  to  $160$ : 40 g,  $\phi 180$  and  $200$ : 50 g,  $\phi 250$  and  $300$ : 60 g). Order with the following part number when only the grease pack is needed.

Grease pack part no.: GR-S-010 (10 g), GR-S-020 (20 g)

## Air-hydro

Bore size (mm)	Kit no.	Contents
125	<a href="#">CS1WH125A-PS</a>	Component part numbers: 20, 22, 23, 24, 25, 27.
140	<a href="#">CS1WH140A-PS</a>	
160	<a href="#">CS1WH160A-PS</a>	