

Conforming to OSHA Standard Pressure Relief 3 Port Valve with Locking Holes



VHS 20/30/40/50

Manually operated valve can be used to prevent accidents caused by residual pressure in pneumatic lines.



The supply/exhaust status of the air flow can be verified at a glance in the indicating window.

SUP: Supply

EXH: Exhaust

Can prevent accidents due to inadvertent air supply.

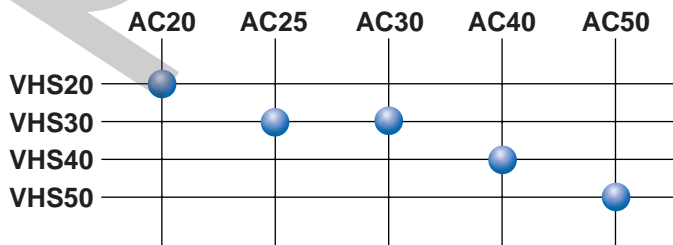


When in the exhaust position, the valve may be padlock secured. Prevents accidental start-ups while personnel are cleaning or servicing equipment.

OSHA standard (Occupational Safety and Health Administration Department of Labor)

For safety control, OSHA rule requires energy sources for certain equipment be turned off or disconnected and that the device either be locked or labelled with a warning tag.

Combination with a modular style FRL is possible.



Conforming to OSHA Standard Pressure Relief 3 Port Valve with Locking Holes VHS 20/30/40/50

How to Order

VHS 30 [] 03 RZ

Pressure relief
3 port valve

Body size

Symbol	Standard port size
20	1/8
30	3/8
40	1/2
50	3/4

Optional specifications

Symbol	Description
B	Knob color: Black
R	Flow direction: Right to left
Z ^{Note)}	PSI as unit displayed on label

Note) Only for the NPT thread.
Under the New Measurement Law,
products for overseas use only
(SI unit type for use in Japan).

Port size

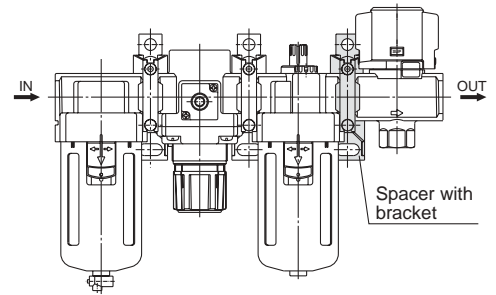
	Port thread
—	Rc
N	NPT
F	G

Symbol	Thread size	Body size			
		20	30	40	50
01	1/8	●	—	—	—
02	1/4	●	●	●	—
03	3/8	—	●	●	—
04	1/2	—	—	●	—
06	3/4	—	—	●	●
10	1	—	—	—	●

An interface part is required if a spacer or spacer with bracket shown in the table below is attached to a modular FRL.

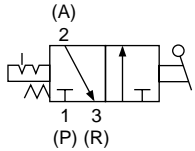
Pressure relief 3 port valve	Interface P/N	Spacer with bracket P/N	Applicable air preparation equipment
VHS20	Y200	Y200T	AC20
VHS30	Y300	Y300T	AC25, AC30
VHS40	Y400	Y400T	AC40
VHS40-06	Y500	Y500T	AC40-06
VHS50	Y600	Y600T	AC50, AC60 ^{Note)}

Note) Although connection to AC60 is possible, the flow rate may decrease due to the mounting position.





JIS Symbol



Specifications

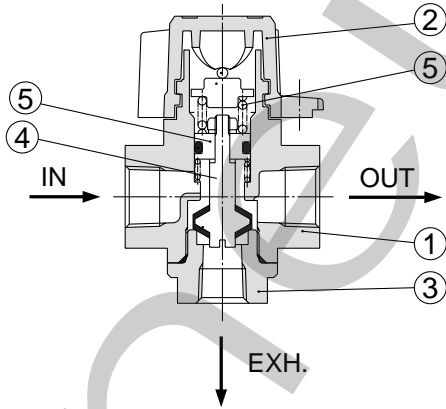
Model		VHS20		VHS30		VHS40			VHS40-06	VHS50	
Piping port	IN, OUT	1/8	1/4	1/4	3/8	1/4	3/8	1/2	3/4	3/4	1
	EXH	1/8		1/4		3/8			1/2	1/2	
Cv	IN→OUT	0.54	0.76	0.87	1.68	1.46	2.06	2.98	4.17	4.44	6.78
	OUT→EXH	0.60	0.87	0.76	1.57	1.75	2.08	2.12	2.12	2.85	2.93
Fluid						Air					
Proof pressure						1.5MPa					
Operating pressure range						0.1 to 1.0MPa					
Ambient and fluid temperature						-5 to 60°C (No freezing)					
Handle switching angle						90°					
Paint color (Standard)						Handle ^{Note)} : Red, Body: Platinum silver					
Weight (kg)		0.19		0.25		0.35			0.42	0.77	

Note) Knob color of black and body color of platinum silver are available as option (for the model number VHS□-□-B).

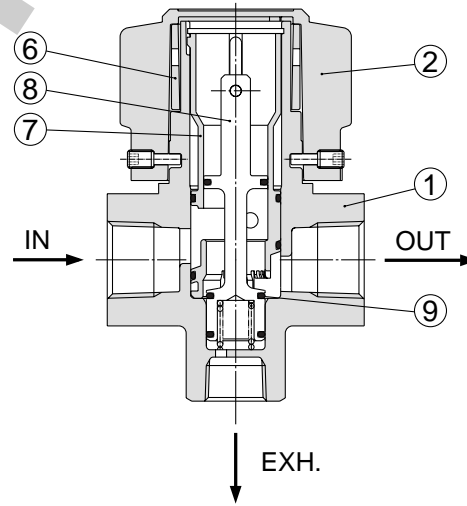
OSHA standard (Occupational Safety and Health Administration Department of Labor)
For safety control, OSHA rule requires energy sources for certain equipment be turned off or disconnected and that the device either be locked or labelled with a warning tag.

Construction

VHS20/30



VHS40/40-06/50



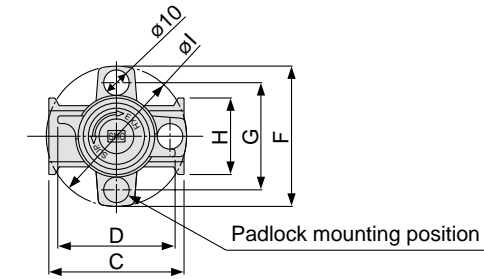
Component Parts

No.	Description	Material			Note
		VHS20	VHS30	VHS40(-06), 50	
①	Body	Zinc die cast	Aluminum die cast	Aluminum die cast	Platinum silver coated
②	Handle	Zinc die cast		Aluminum die cast	Red coated
③	Valve guide	Zinc die cast			—
④	Valve	Aluminum alloy + HNBR			—
⑤	Piston	Brass			—
⑥	Cam ring	—	Zinc die cast		—
⑦	Ferrule	—	POM		—
⑧	Spool	—	Brass		Electroless nickel plated
⑨	Packing	—	HNBR		—

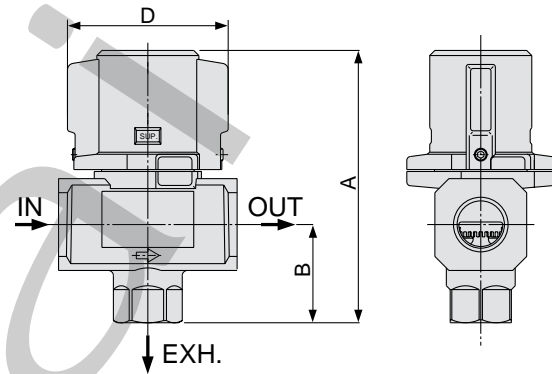
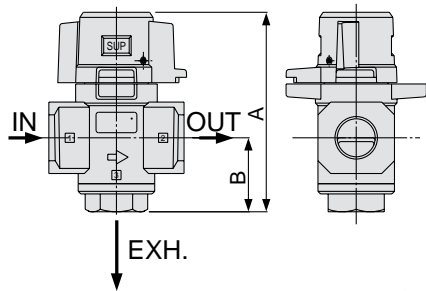
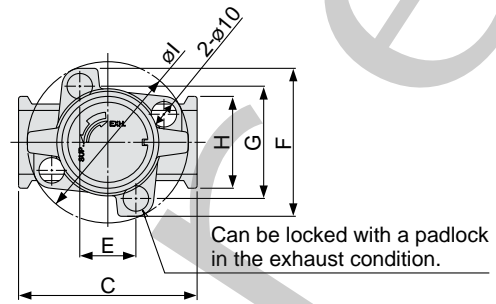
Series VHS

Dimensions

VHS20/30



VHS40/40-06/50



Model	Piping port	A	B	C	D	E	F	G	H	I
VHS20	1/8, 1/4	59	20	40	34	-	45	33	28	45
VHS30	1/4, 3/8	78	29	53	46	-	55	42	30	55
VHS40	1/4, 3/8, 1/2	107	39	70	63	22	58	44	36	63
VHS40-06	3/4	110	42	75	67	21	65	50	44	69
VHS50	3/4, 1	134	53	90	78	26	76	61	54	81